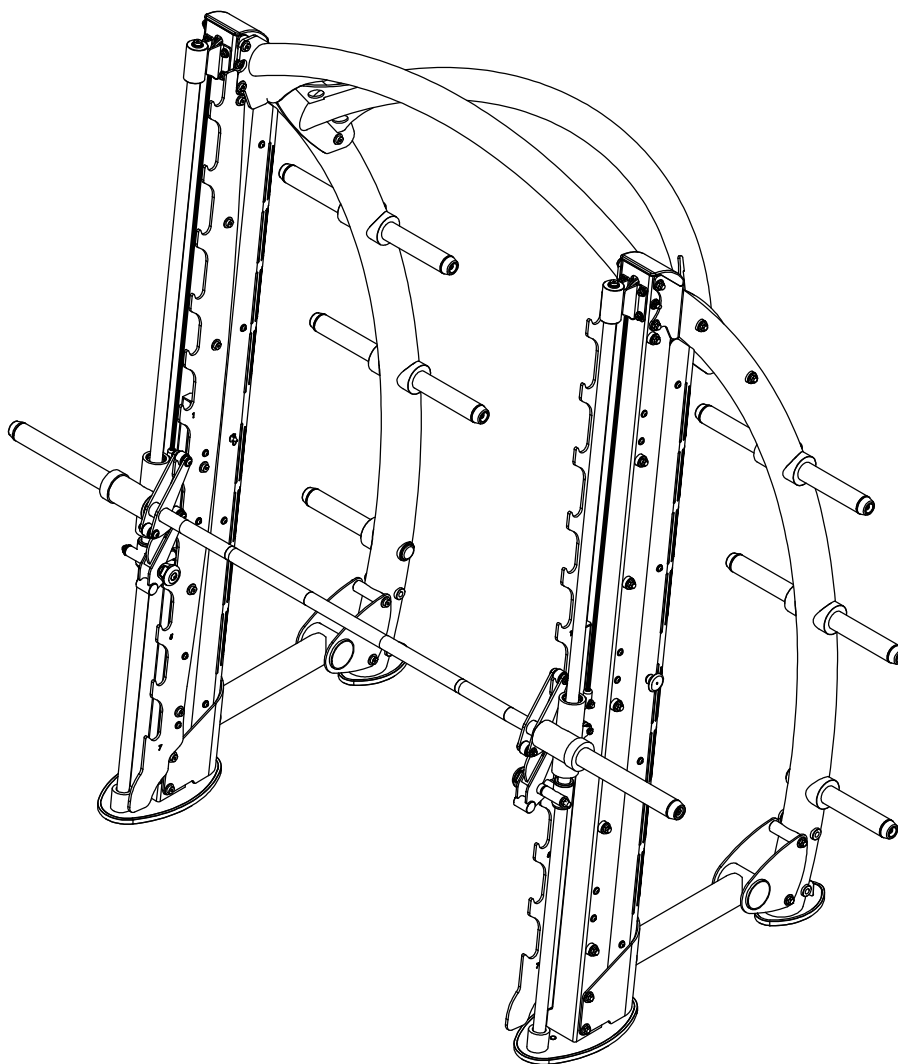


# OWNER'S MANUAL



## CF-3753

### 7 DEGREE SMITH



#### **\*\*WARNING!\*\***

TO PREVENT POSSIBLE TIPPING, BOLT THIS UNIT TO THE EXERCISE FLOOR USING MINIMUM 4 - 1/2" LONG BOLTS. FAILURE TO DO SO MAY RESULT IN SERIOUS INJURY OR DEATH.

Note: Both Serial Number and Model Number are Required when Ordering Parts

**RECORD SERIAL NUMBER HERE**

**MACHINE CODE**

**A09**

**Customer Service**

(800) 548-5438

(858) 578-7676

**Fax**

(858) 578-9558



[www.facebook.com/hoistfitness](http://www.facebook.com/hoistfitness)

# OWNER'S MANUAL

## CONTENTS

INSTRUCTIONS .....	02
FRAME ASSEMBLY .....	04
PRE-ASSEMBLY.....	23
DECAL PLACEMENT.....	27
DECAL REFERENCE.....	28
PART LIST.....	29
ABBREVIATIONS.....	32
BOLT SIZING CHART.....	33
WASHER SIZING CHART.....	34
MAINTENANCE SCHEDULE.....	36
GENERAL MAINTENANCE INFORMATION.....	37
WEIGHT TRAINING TIPS.....	38
WEIGHT RATIOS.....	39
EXERCISE LOG.....	40
LIMITED WARRANTY.....	41

# OWNER'S MANUAL

## **INSTRUCTIONS**

Before beginning assembly please take the time to read instructions thoroughly. Please use the various lists in this manual to make sure that all parts have been included in your shipment. When ordering, use part number and description from the lists. Use only HOIST replacement parts when servicing. Failure to do so will void your warranty and could result in personal injury.

HOIST equipment is designed to provide the smoothest, most effective exercise motion possible. After assembly, you should check all functions to ensure correct operation. If you experience problems, first recheck the assembly instructions to locate any possible errors made during assembly. If you are unable to correct the problem, call your authorized HOIST dealer. Be sure to have your serial number and this manual when calling. When all parts have been accounted for, continue on.

## **TOOLS REQUIRED**

**Ratchet Wrench**

**1/2", 9/16" and 3/4" Sockets**

**Adjustable Wrench**

**Rubber Mallet**

**Tape Measure**

**Level**

**Hex Key Wrench Set**

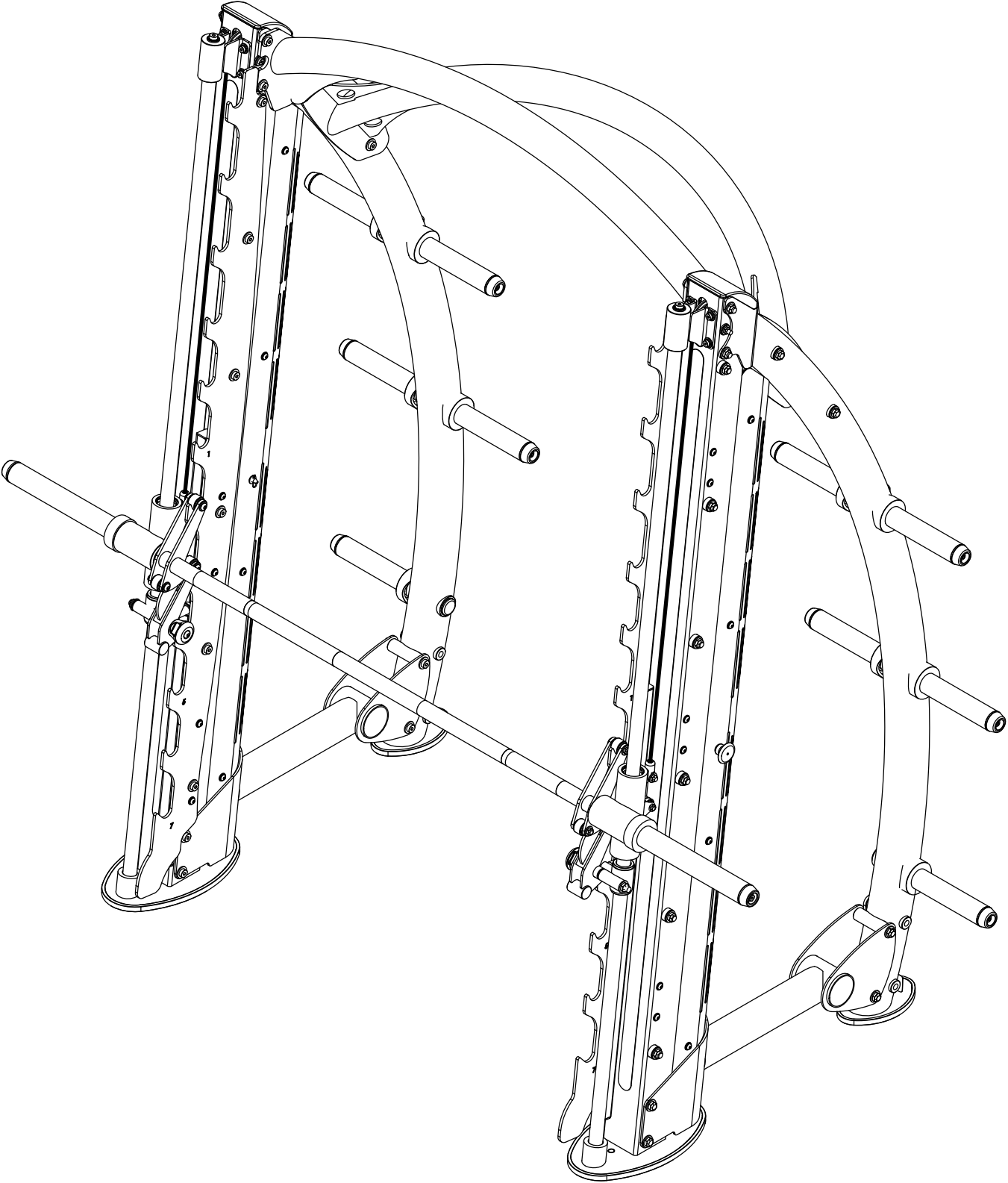
**2 People Required For Assembly**

# OWNER'S MANUAL

\*\*\*THIS PAGE WAS INTENTIONALLY LEFT BLANK\*\*\*

# OWNER'S MANUAL

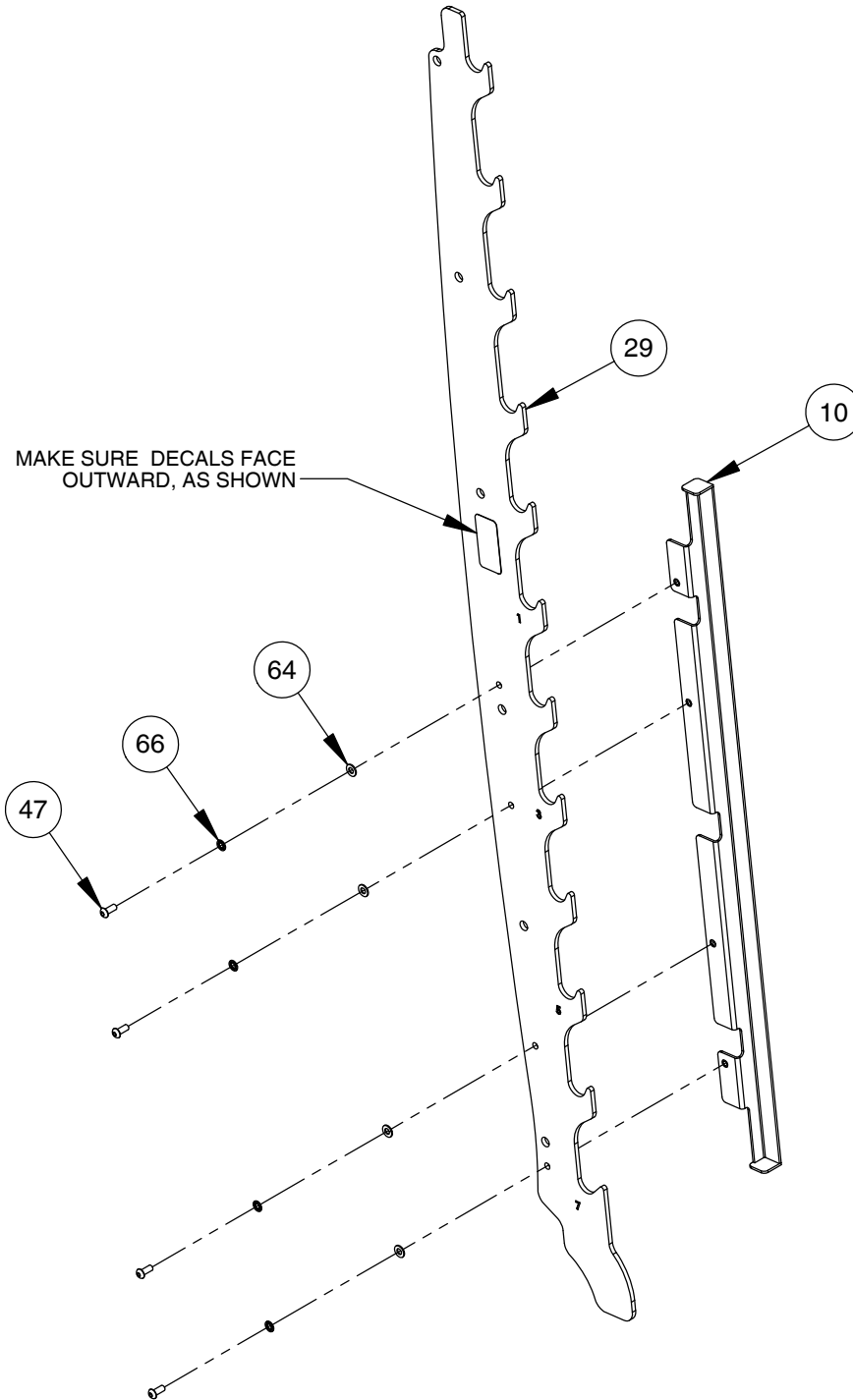
## FRAME ASSEMBLY



# OWNER'S MANUAL

## FRAME ASSEMBLY

- NOTE:
- HAND TIGHTEN HARDWARE.
  - REPEAT ASSEMBLY FOR OPPOSITE SIDE.



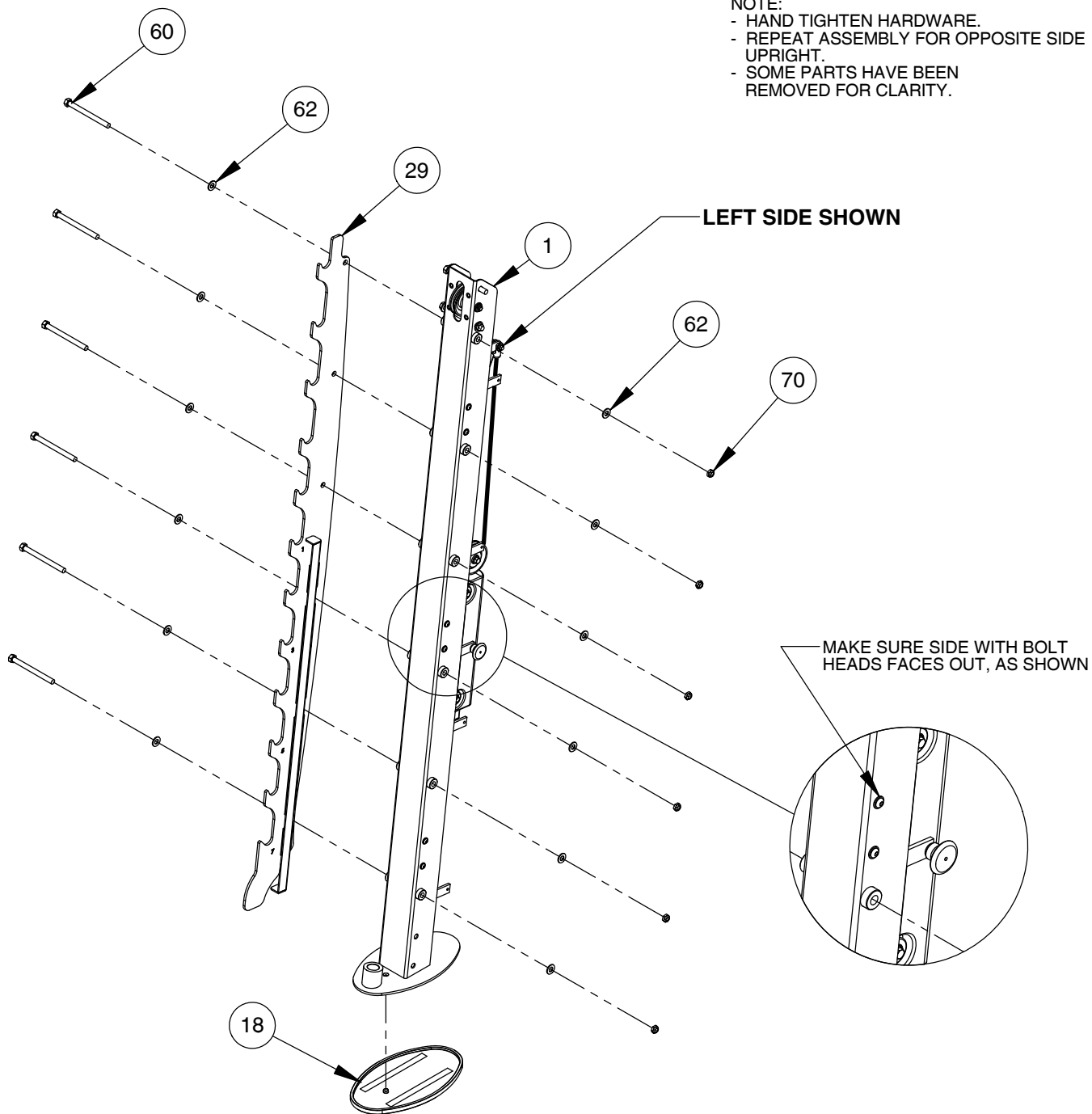
# OWNER'S MANUAL

## FRAME ASSEMBLY

### WARNING!

BE SURE TO ALWAYS SUPPORT UPRIGHT (1) THROUGH THE FOLLOWING STEPS  
UNTIL ASSEMBLY IS SECURED ON PAGE 10.  
FAILURE TO FOLLOW THESE DIRECTIONS MAY RESULT IN SERIOUS INJURY OR DEATH.

NOTE:  
- HAND TIGHTEN HARDWARE.  
- REPEAT ASSEMBLY FOR OPPOSITE SIDE UPRIGHT.  
- SOME PARTS HAVE BEEN REMOVED FOR CLARITY.



# OWNER'S MANUAL

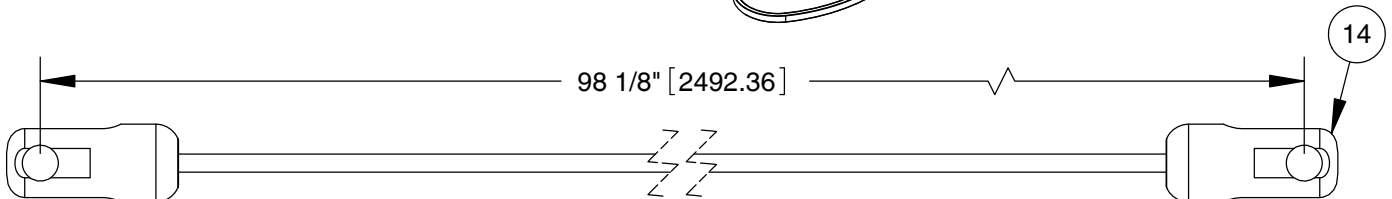
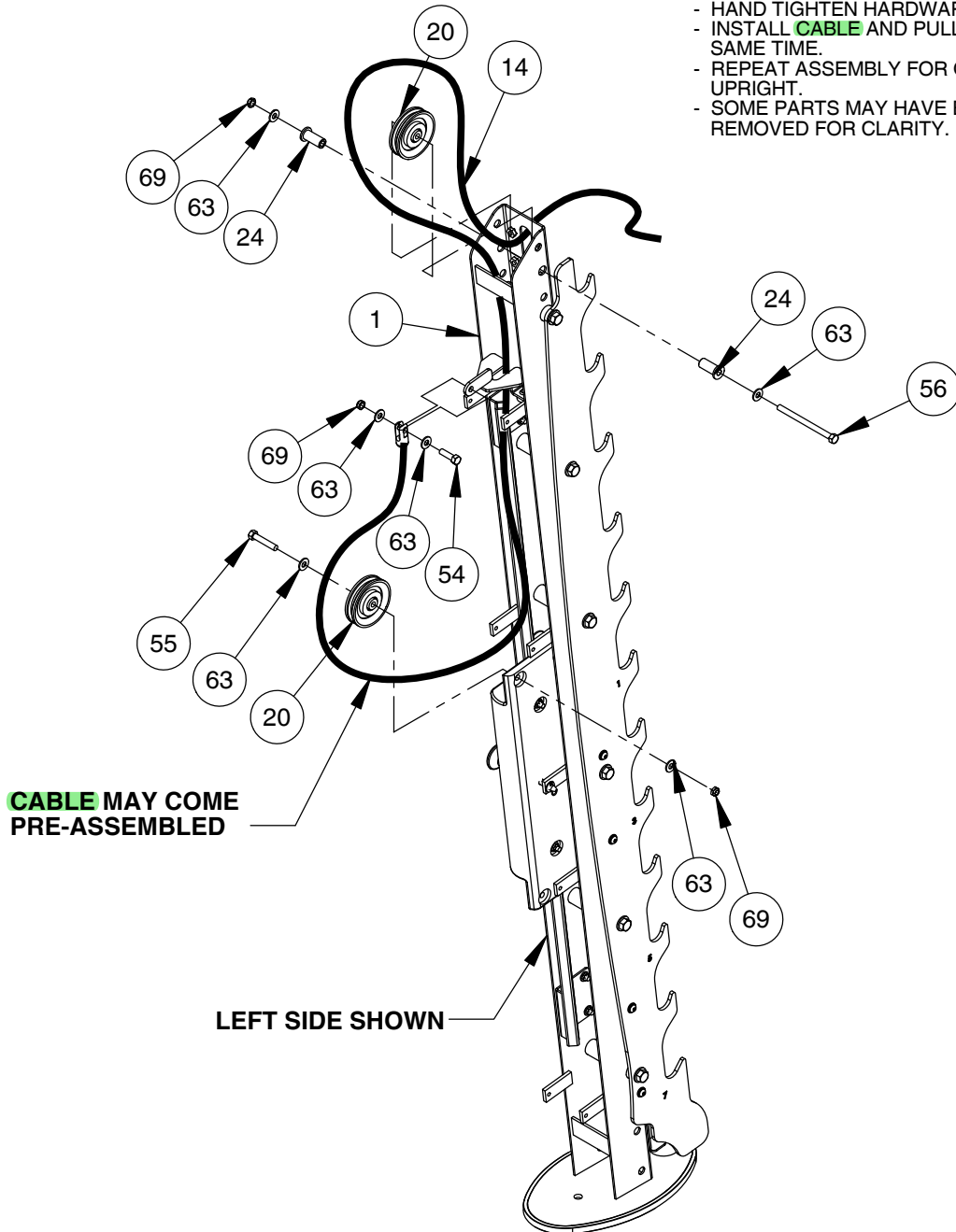
## FRAME ASSEMBLY

### WARNING!

BE SURE TO ALWAYS SUPPORT UPRIGHT (1) THROUGH THE FOLLOWING STEPS  
UNTIL ASSEMBLY IS SECURED.  
FAILURE TO FOLLOW THESE DIRECTIONS MAY RESULT IN SERIOUS INJURY OR DEATH.

#### NOTE:

- HAND TIGHTEN HARDWARE.
- INSTALL **CABLE** AND PULLEYS AT THE SAME TIME.
- REPEAT ASSEMBLY FOR OPPOSITE SIDE UPRIGHT.
- SOME PARTS MAY HAVE BEEN REMOVED FOR CLARITY.





# OWNER'S MANUAL

## FRAME ASSEMBLY

### WARNING!

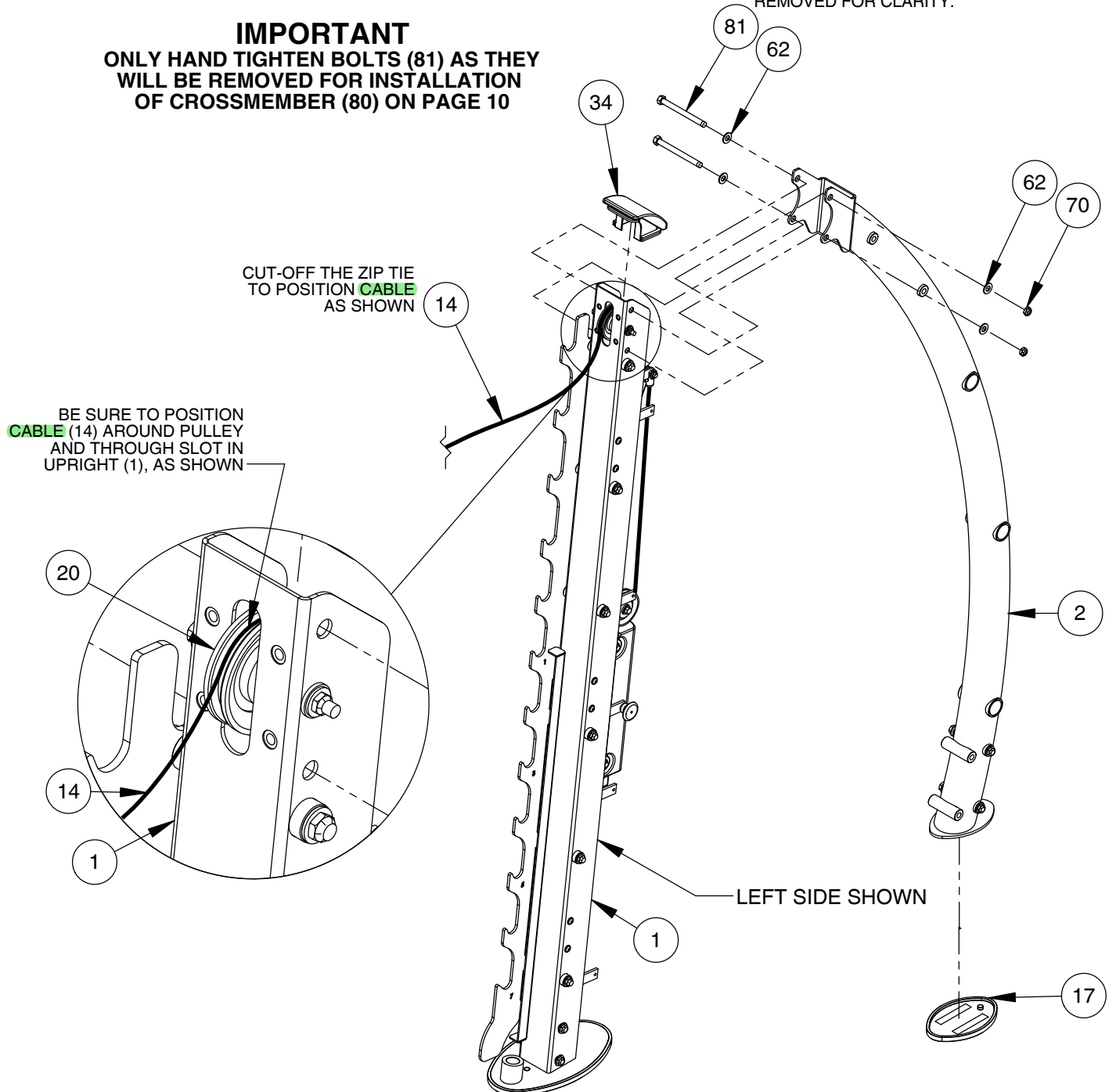
BE SURE TO ALWAYS SUPPORT UPRIGHT (1) THROUGH THE FOLLOWING STEP.  
FAILURE TO FOLLOW THESE DIRECTIONS MAY RESULT IN SERIOUS INJURY OR DEATH.

### IMPORTANT

ONLY HAND TIGHTEN BOLTS (81) AS THEY  
WILL BE REMOVED FOR INSTALLATION  
OF CROSSMEMBER (80) ON PAGE 10

#### NOTE:

- HAND TIGHTEN HARDWARE.
- REPEAT ASSEMBLY FOR OPPOSITE SIDE UPRIGHT.
- SOME PARTS MAY HAVE BEEN REMOVED FOR CLARITY.



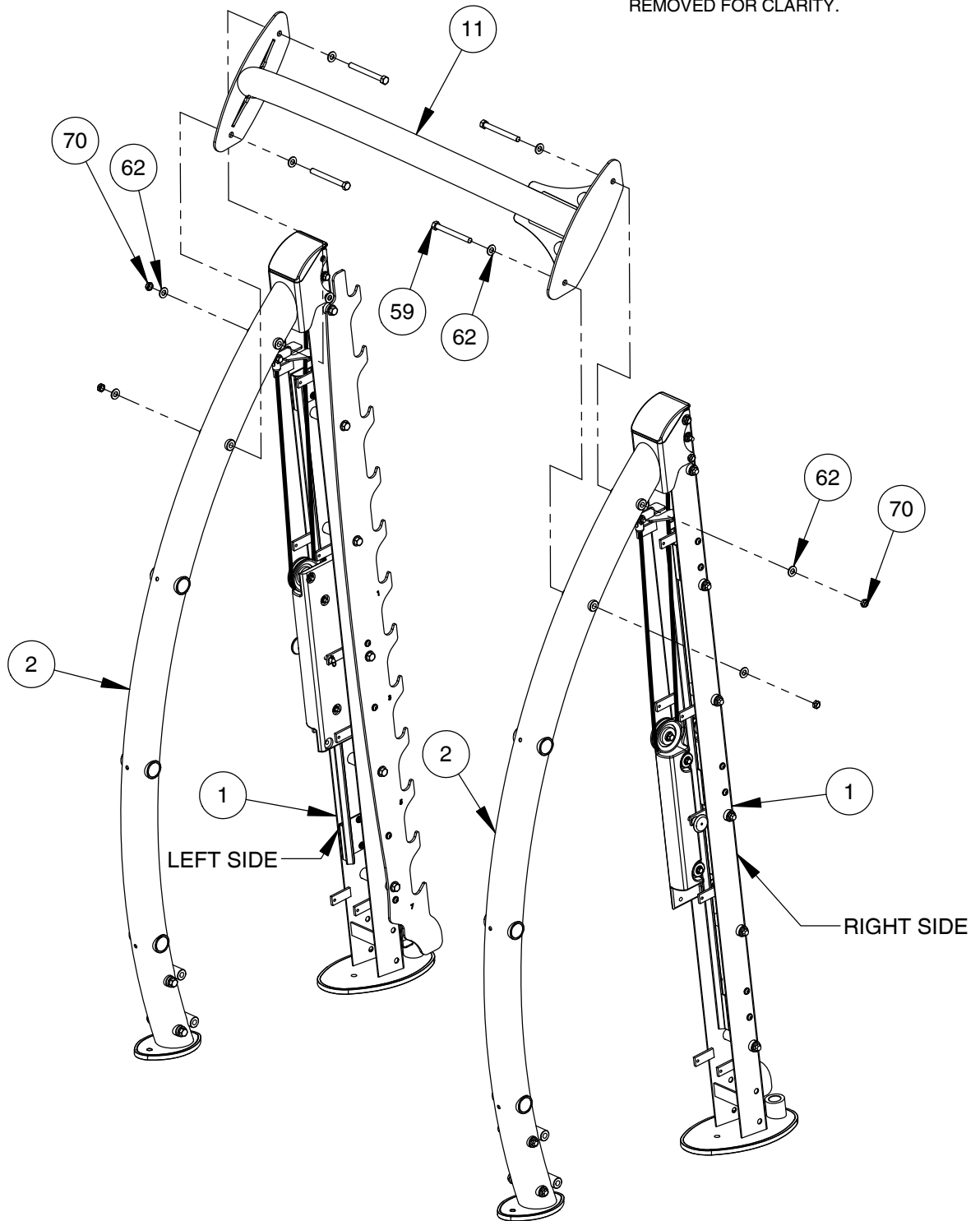
# OWNER'S MANUAL

## FRAME ASSEMBLY

### WARNING!

BE SURE TO ALWAYS SUPPORT UPRIGHTS (1) THROUGH THIS STEP.  
FAILURE TO FOLLOW THESE DIRECTIONS MAY RESULT IN SERIOUS INJURY OR DEATH.

NOTE:  
- HAND TIGHTEN HARDWARE.  
- SOME PARTS MAY HAVE BEEN REMOVED FOR CLARITY.



# OWNER'S MANUAL

## FRAME ASSEMBLY

### WARNING!

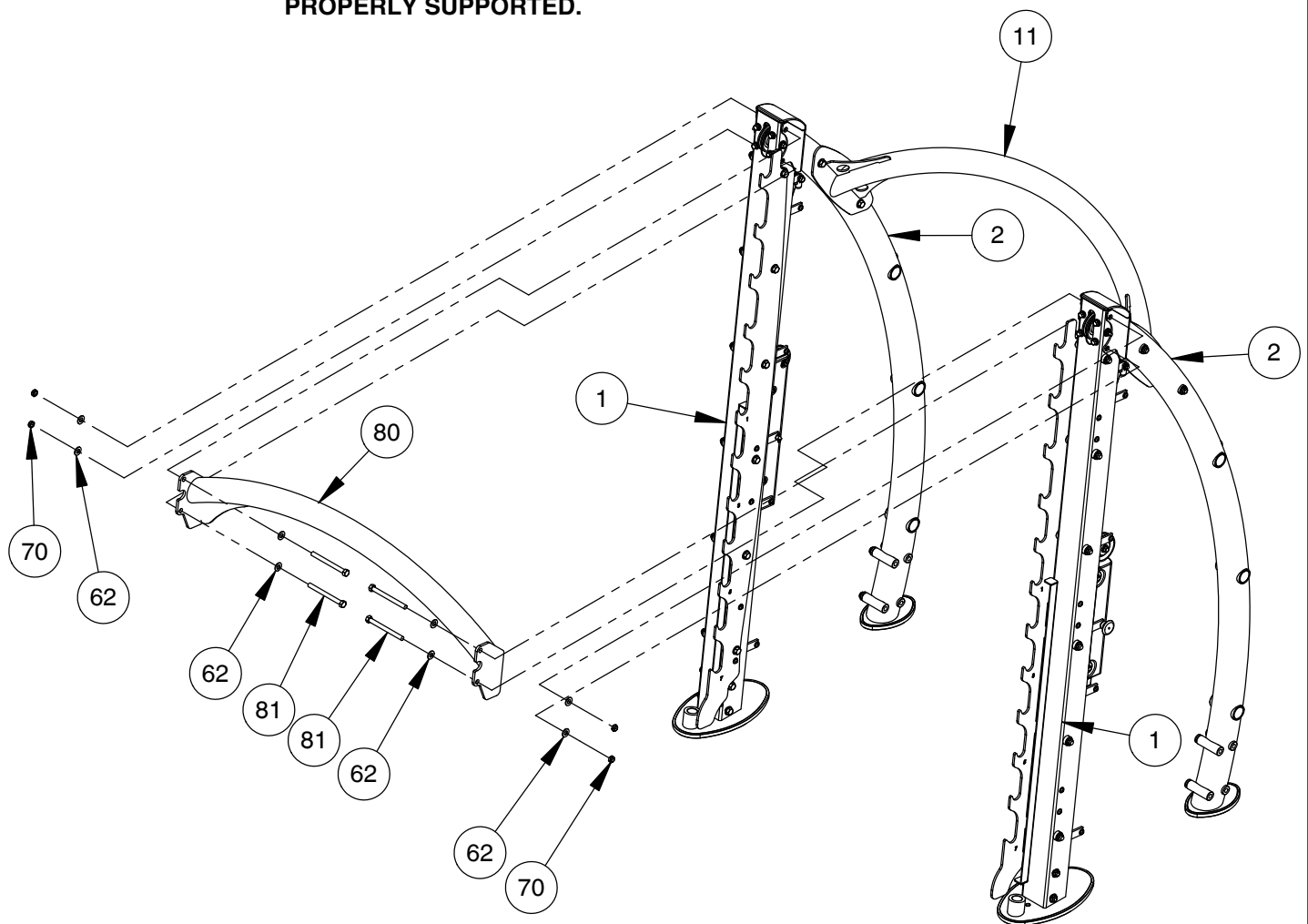
BE SURE TO ALWAYS SUPPORT UPRIGHTS (1) THROUGH THIS STEP.  
FAILURE TO FOLLOW THESE DIRECTIONS MAY RESULT IN SERIOUS INJURY OR DEATH.

#### NOTE:

- HAND TIGHTEN HARDWARE.
- SOME PARTS MAY HAVE BEEN REMOVED FOR CLARITY.

### IMPORTANT

REMOVE BOLTS (81) THAT WERE INSTALLED ON PAGE 8  
AND REINSTALL THROUGH CROSSMEMBER (80).  
ENSURE CROSSMEMBERS AND UPRIGHTS ARE  
PROPERLY SUPPORTED.

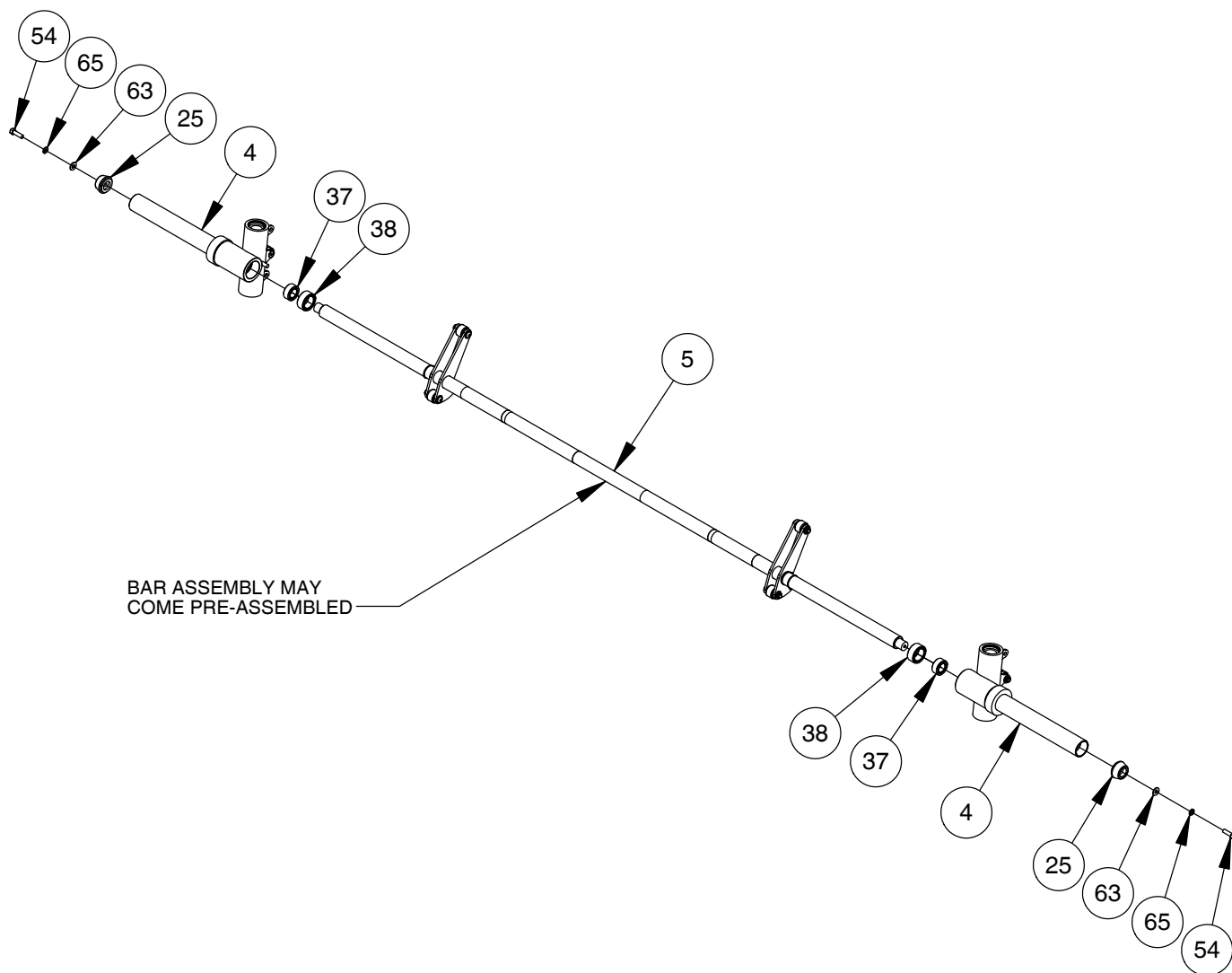


# **OWNER'S MANUAL**

\*\*\*THIS PAGE WAS INTENTIONALLY LEFT BLANK\*\*\*

# OWNER'S MANUAL

## FRAME ASSEMBLY

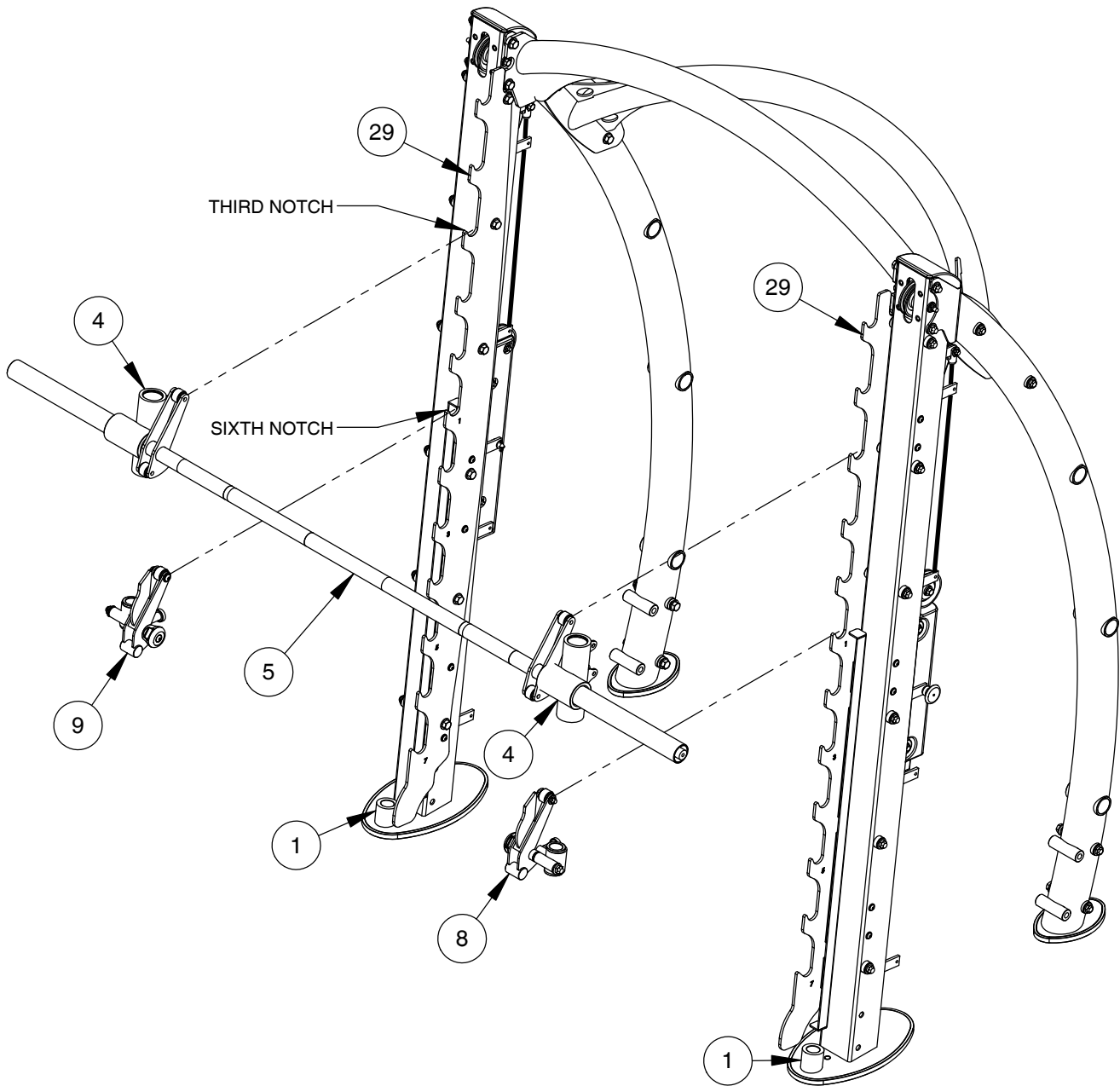


# OWNER'S MANUAL

## FRAME ASSEMBLY

**NOTE:**

- USE RACK OUT'S (29) THIRD NOTCH FROM TOP TO STABILIZE BAR (4 & 5) FOR NEXT STEP.
- USE RACK OUT'S (29) SIXTH NOTCH FROM TOP TO POSITION SAFETY CATCH (8 & 9) FOR NEXT STEP.
- SOME PARTS MAY HAVE BEEN REMOVED FOR CLARITY.



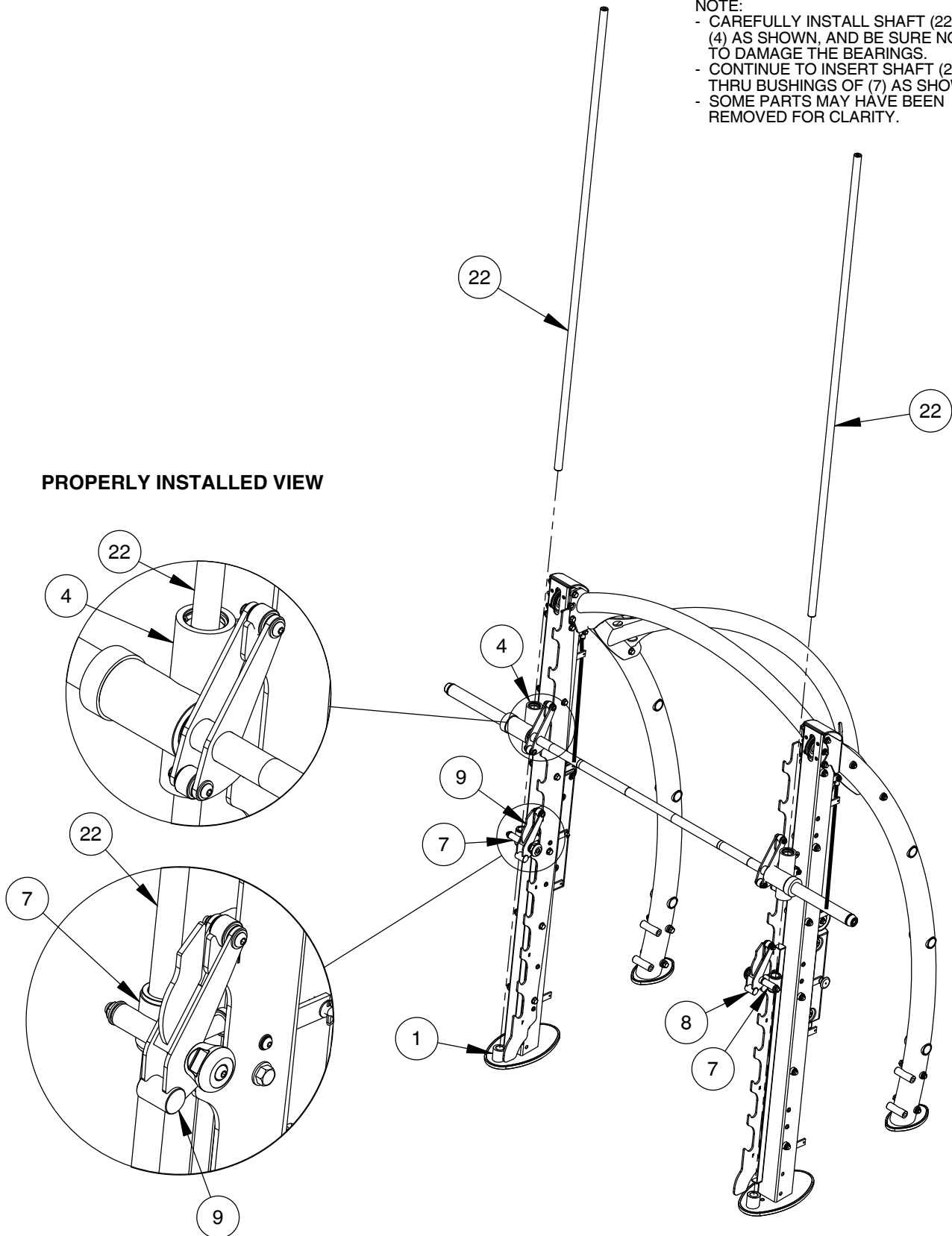
# OWNER'S MANUAL

## FRAME ASSEMBLY

**NOTE:**

- CAREFULLY INSTALL SHAFT (22) INTO (4) AS SHOWN, AND BE SURE NOT TO DAMAGE THE BEARINGS.
- CONTINUE TO INSERT SHAFT (22) THRU BUSHINGS OF (7) AS SHOWN.
- SOME PARTS MAY HAVE BEEN REMOVED FOR CLARITY.

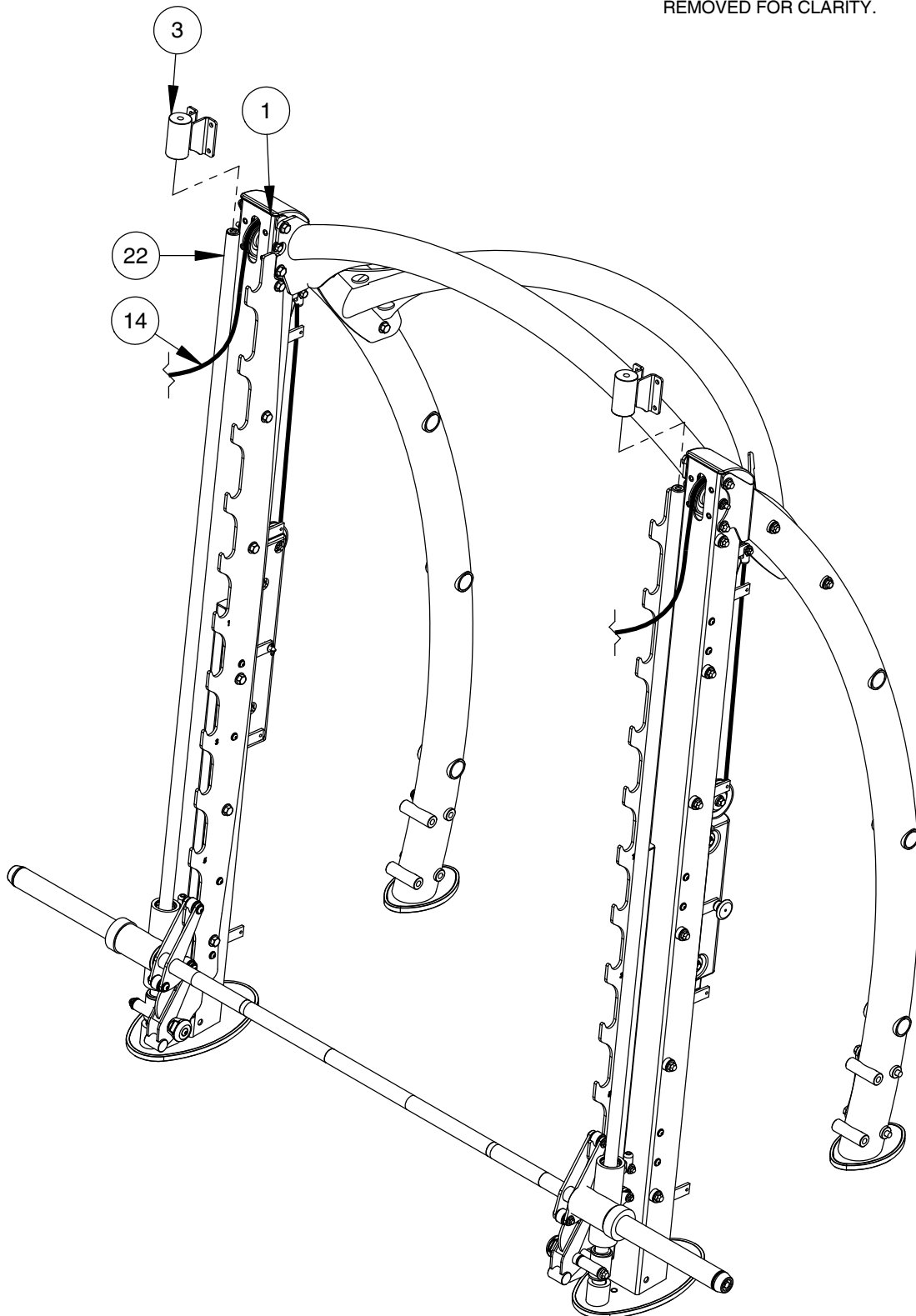
**PROPERLY INSTALLED VIEW**



# OWNER'S MANUAL

## FRAME ASSEMBLY

NOTE:  
- REPEAT FOR OPPOSITE SIDE.  
- SOME PARTS MAY HAVE BEEN  
REMOVED FOR CLARITY.

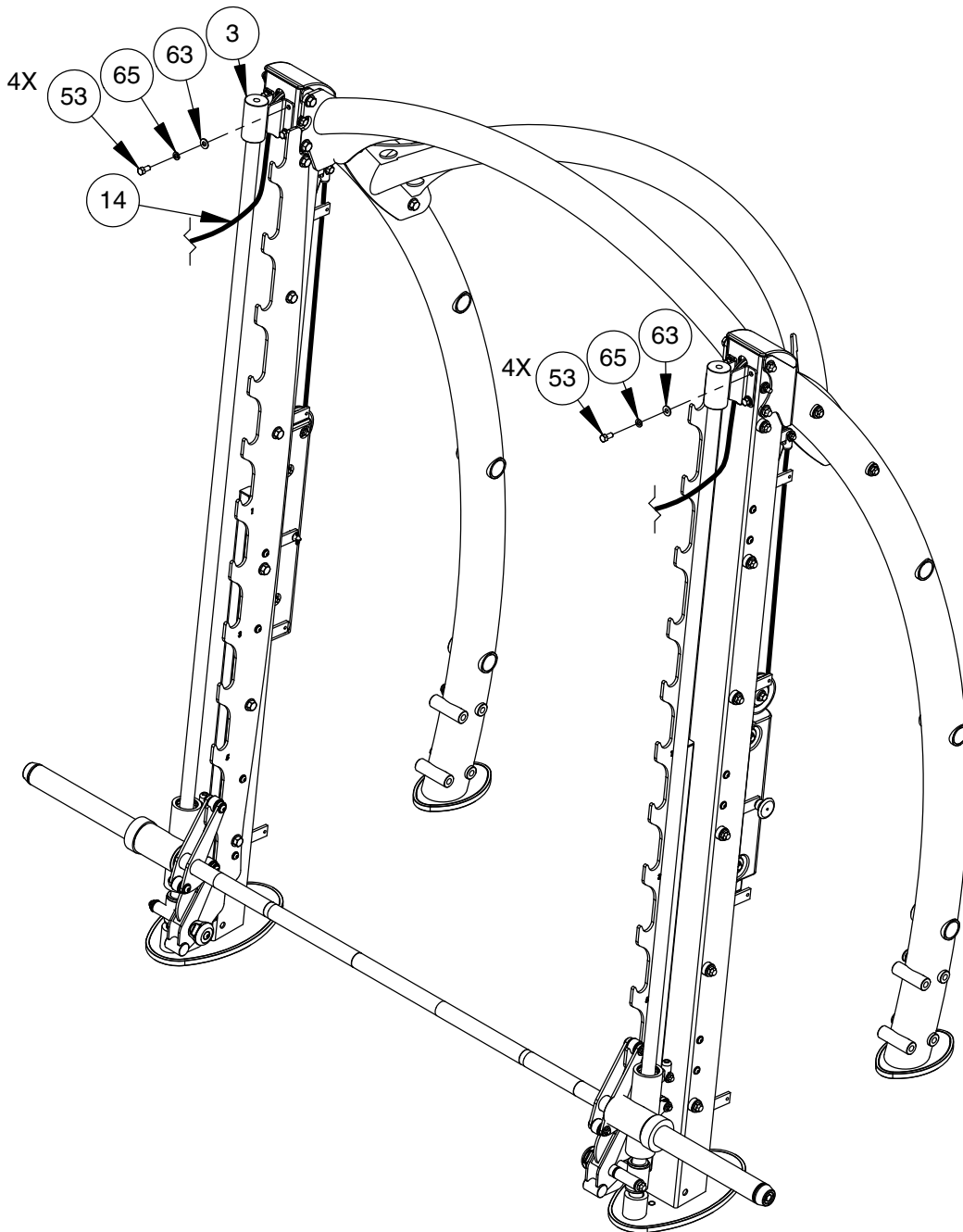




# OWNER'S MANUAL

## FRAME ASSEMBLY

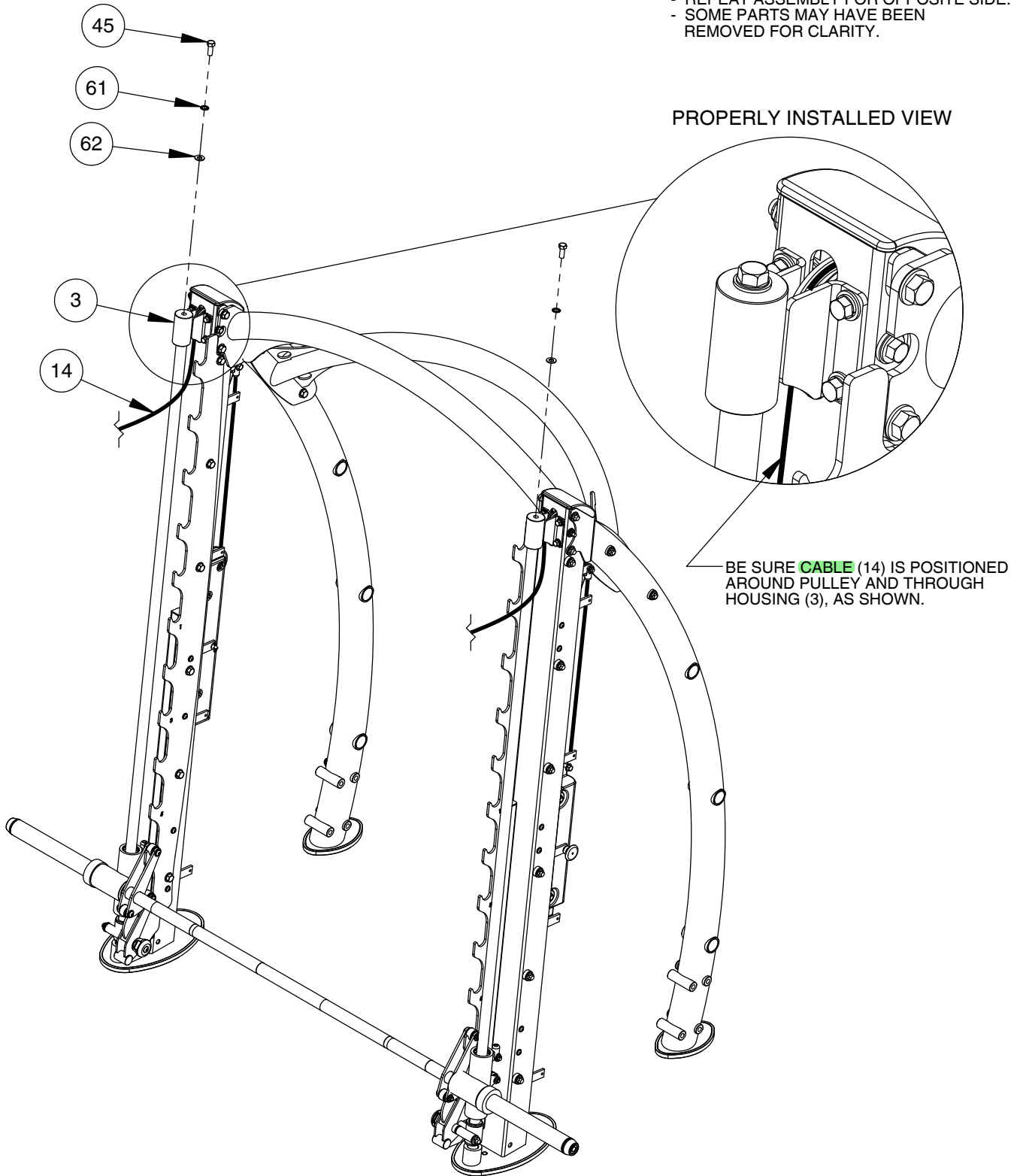
- NOTE:
- HAND TIGHTEN HARDWARE.
  - REPEAT FOR OPPOSITE SIDE.
  - SOME PARTS MAY HAVE BEEN REMOVED FOR CLARITY.



# OWNER'S MANUAL

## FRAME ASSEMBLY

- NOTE:
- HAND TIGHTEN HARDWARE.
  - REPEAT ASSEMBLY FOR OPPOSITE SIDE.
  - SOME PARTS MAY HAVE BEEN REMOVED FOR CLARITY.

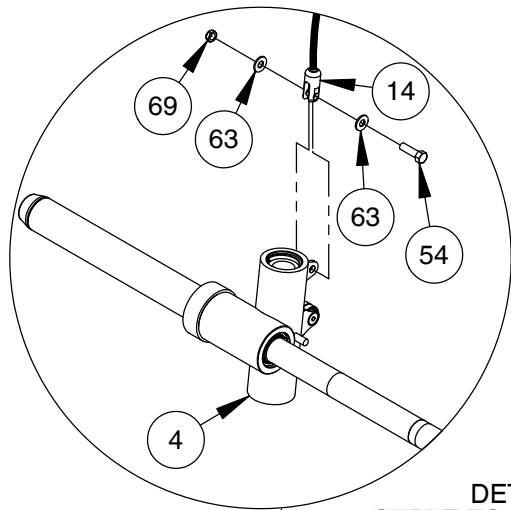


# OWNER'S MANUAL

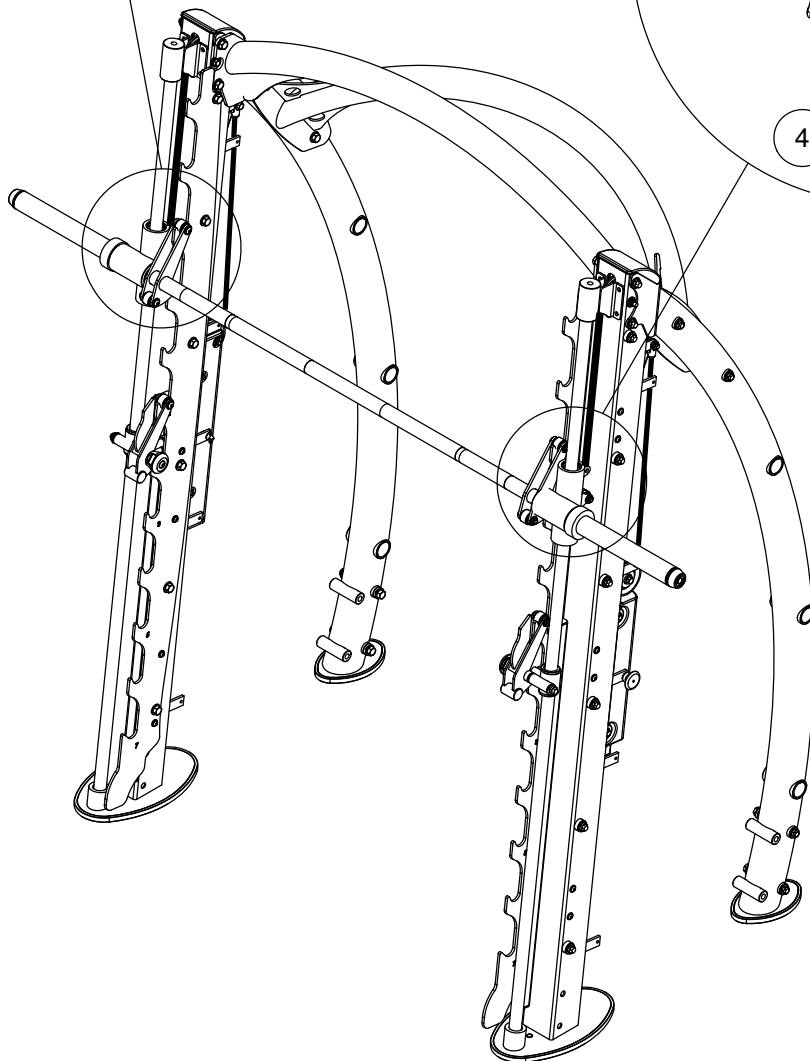
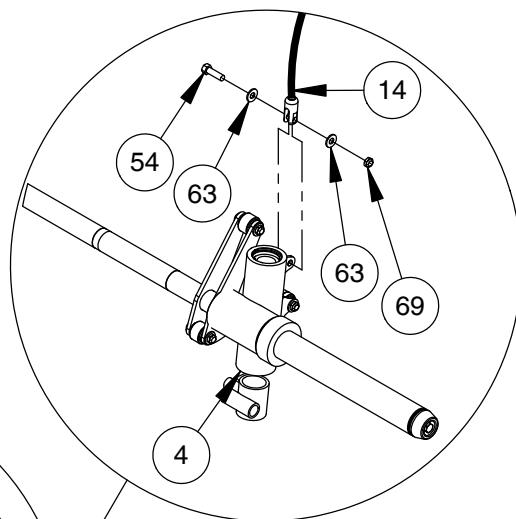
## FRAME ASSEMBLY

**NOTE:**

- HAND TIGHTEN HARDWARE.
- REPEAT ASSEMBLY FOR OPPOSITE SIDE.
- SOME PARTS MAY HAVE BEEN REMOVED FOR CLARITY.



DETAIL VIEWS  
**CABLE** TO BAR ATTACHMENT



# OWNER'S MANUAL

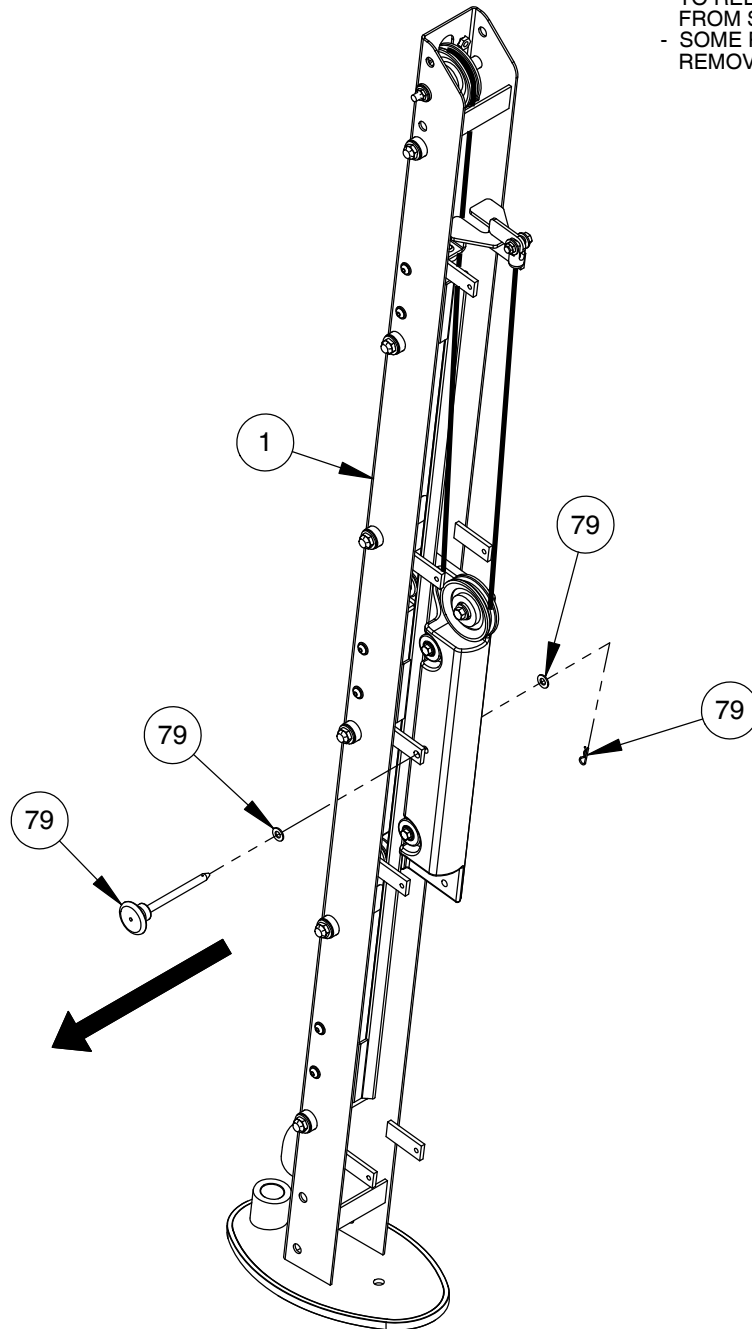
## FRAME ASSEMBLY

### **WARNING!**

**ONCE HARDWARE IS REMOVED, COUNTERWEIGHT IS FREE TO FALL.  
BE SURE TO FULLY SUPPORT COUNTERWEIGHT BEFORE AND DURING HARDWARE REMOVAL.  
ONCE HARDWARE IS REMOVED, SAFELY MOVE COUNTERWEIGHT TO RESTING POSITION AT  
BOTTOM OF UPRIGHT.**

#### NOTE:

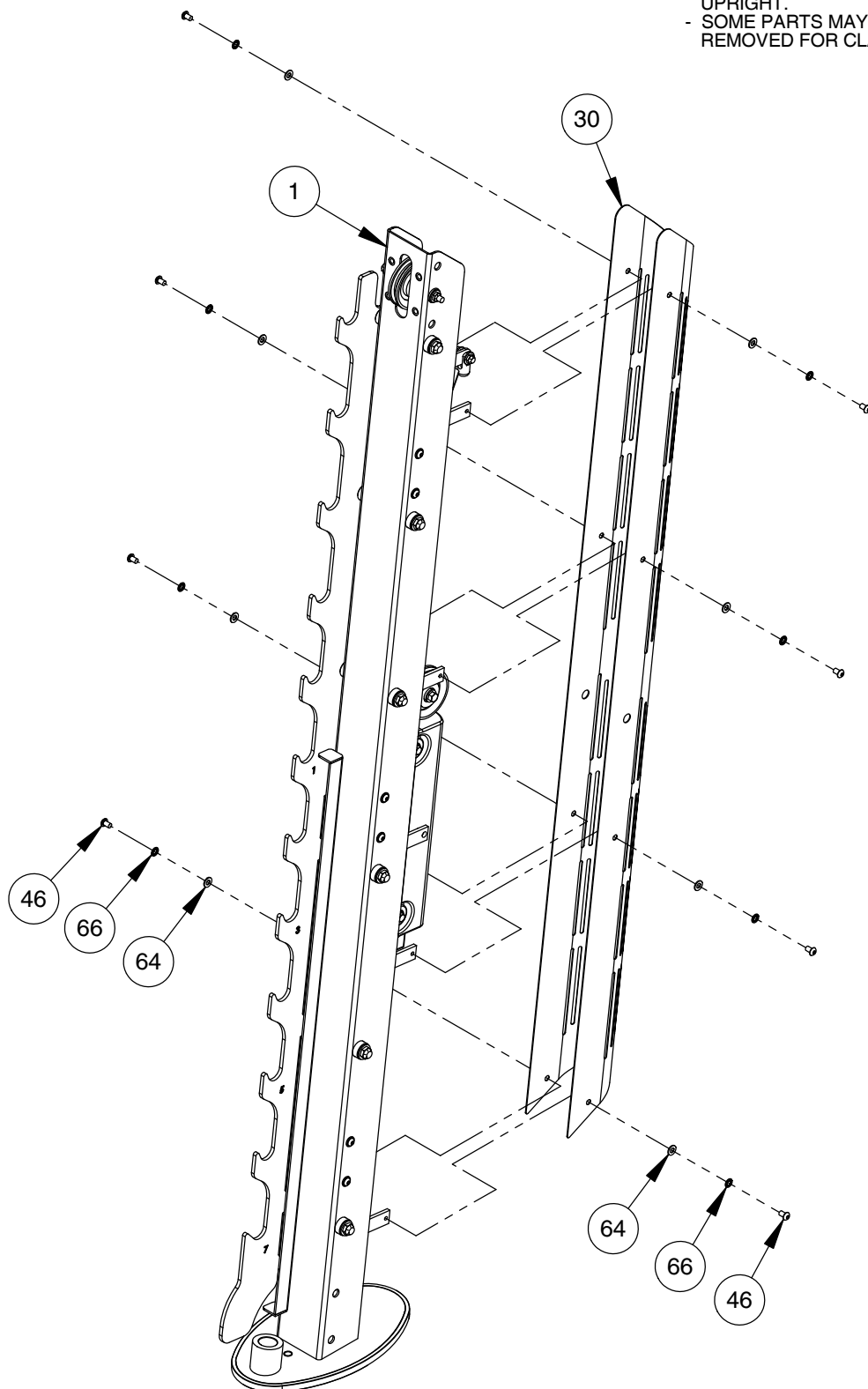
- REPEAT DISASSEMBLY FOR OPPOSITE SIDE UPRIGHT. REMOVE HARDWARE TO RELEASE COUNTERWEIGHT FROM SHIPPING POSITION.
- SOME PARTS MAY HAVE BEEN REMOVED FOR CLARITY.



# OWNER'S MANUAL

## FRAME ASSEMBLY

- NOTE:
- HAND TIGHTEN HARDWARE.
  - REPEAT ASSEMBLY FOR OPPOSITE SIDE UPRIGHT.
  - SOME PARTS MAY HAVE BEEN REMOVED FOR CLARITY.

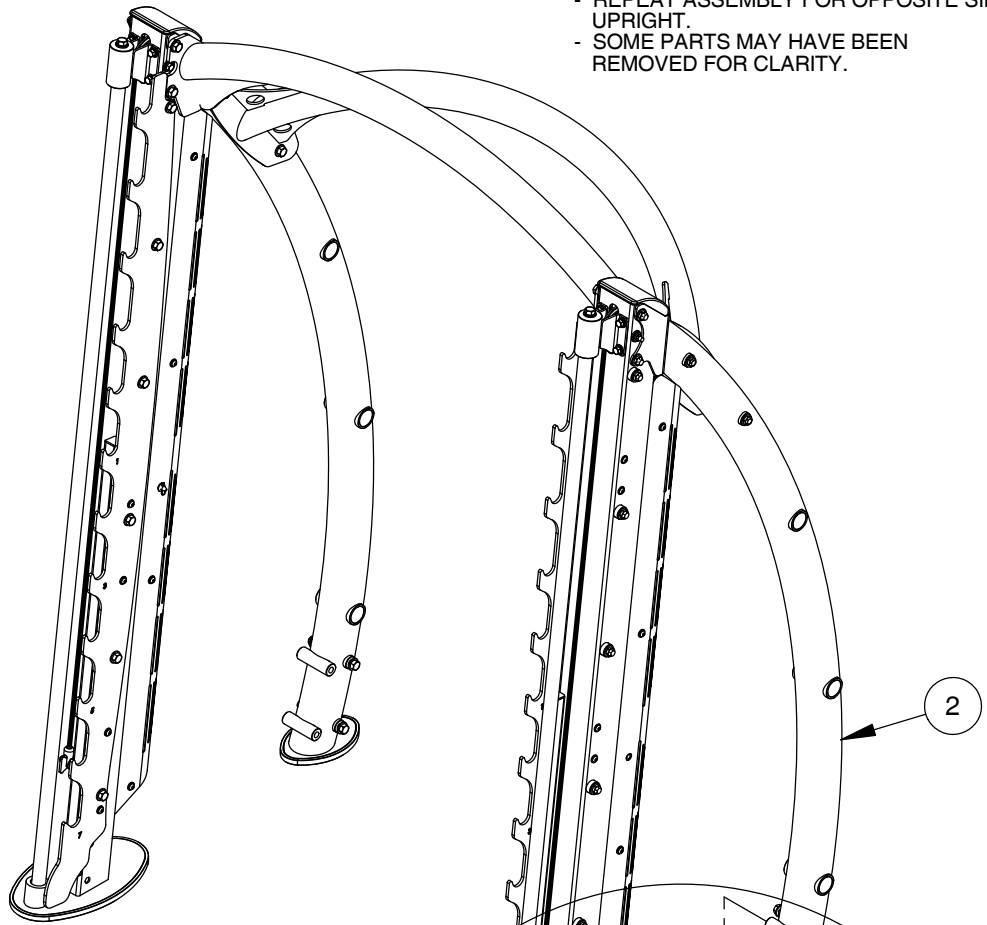


# OWNER'S MANUAL

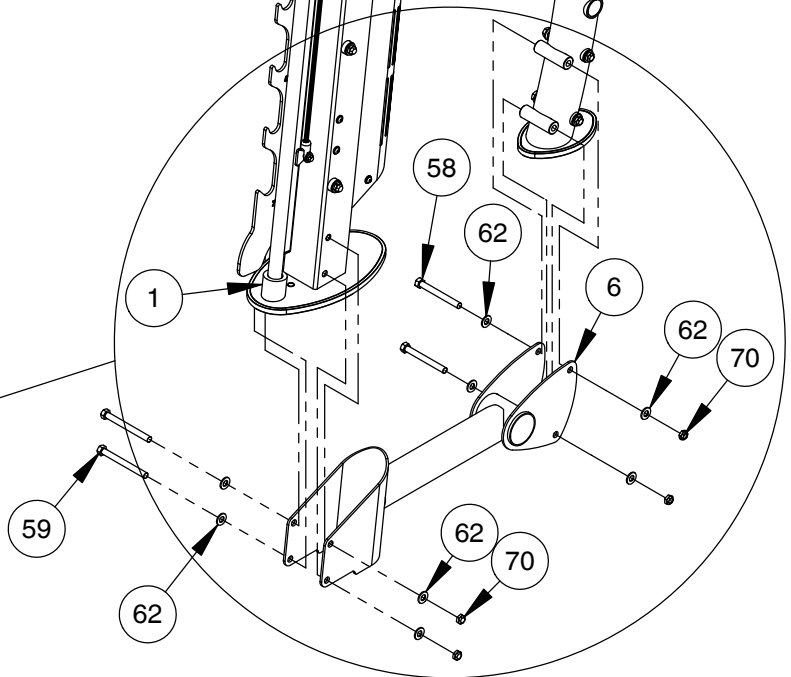
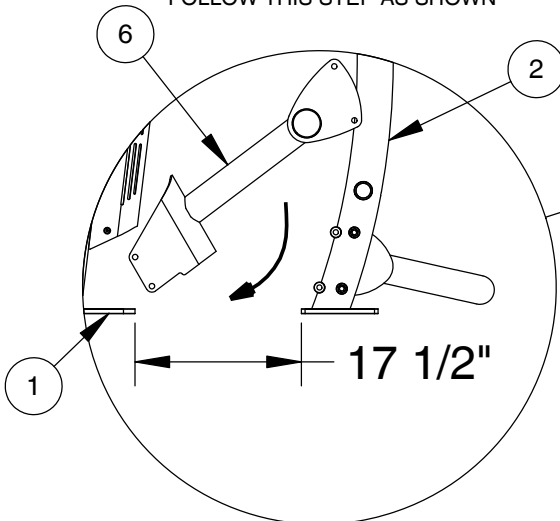
## FRAME ASSEMBLY

NOTE:

- HAND TIGHTEN HARDWARE.
- REPEAT ASSEMBLY FOR OPPOSITE SIDE UPRIGHT.
- SOME PARTS MAY HAVE BEEN REMOVED FOR CLARITY.



TO POSITION (6) PROPERLY,  
FOLLOW THIS STEP AS SHOWN

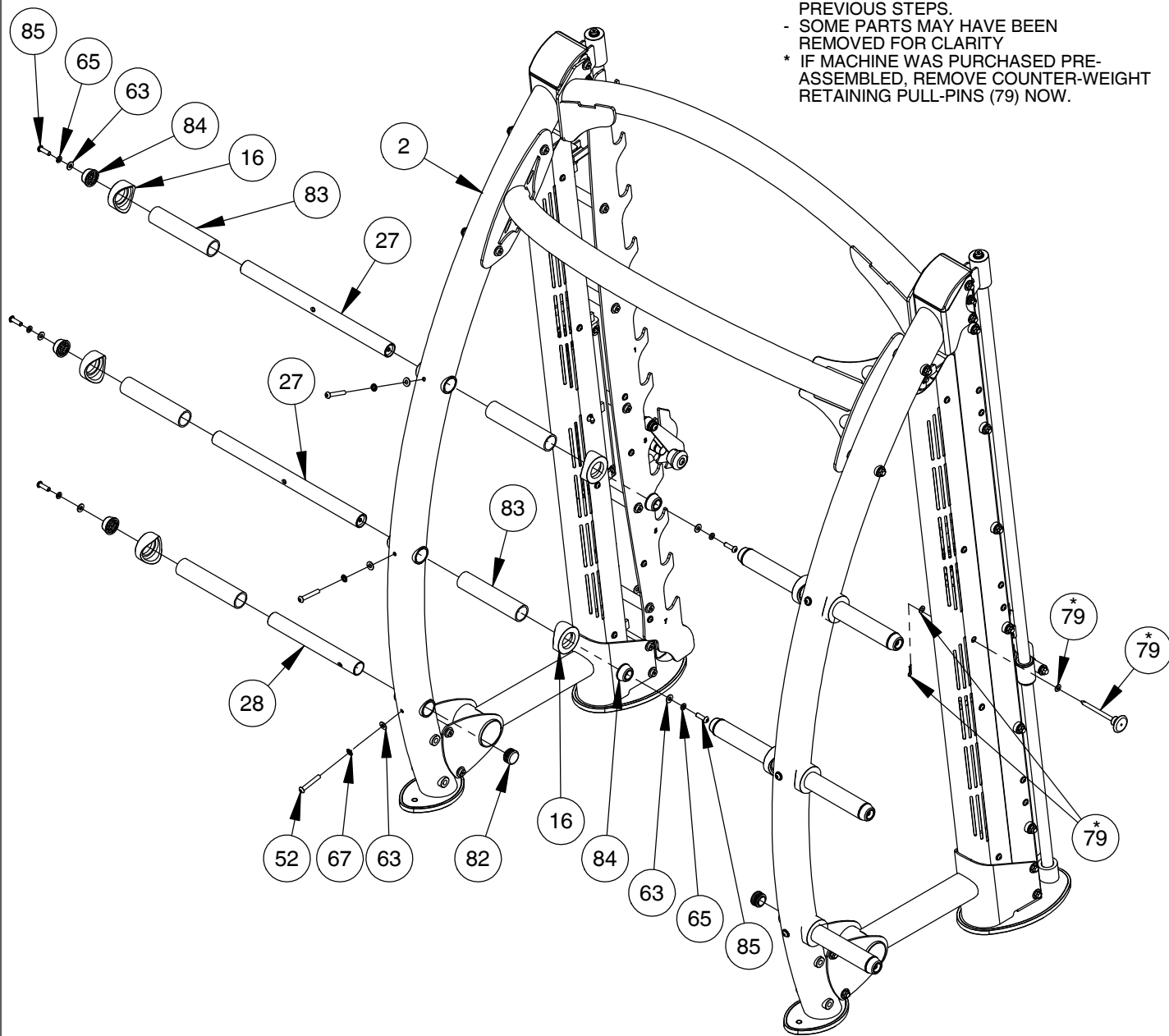


# OWNER'S MANUAL

## FRAME ASSEMBLY

NOTE:

- WRENCH TIGHTEN HARDWARE.
- REPEAT ASSEMBLY FOR OPPOSITE SIDE.
- WRENCH TIGHTEN ALL HARDWARE FROM PREVIOUS STEPS.
- SOME PARTS MAY HAVE BEEN REMOVED FOR CLARITY
- \* IF MACHINE WAS PURCHASED PRE-ASSEMBLED, REMOVE COUNTER-WEIGHT RETAINING PULL-PINS (79) NOW.

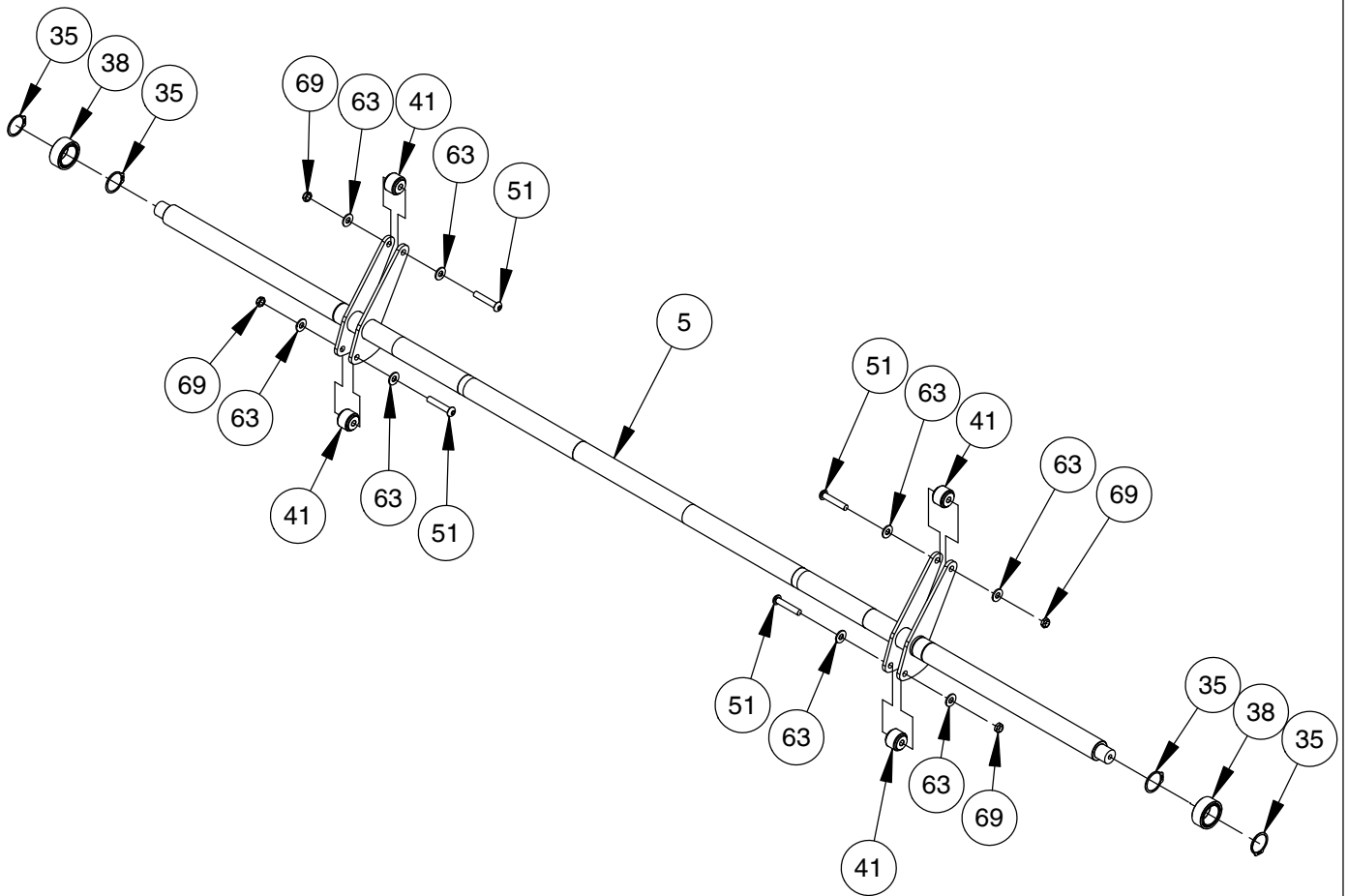


### **\*IMPORTANT\***

NOW THAT THE CF-3753 IS COMPLETELY ASSEMBLED TAKE TIME TO ASSURE THAT YOUR UNIT IS ASSEMBLED SQUARE AND PERPENDICULAR. USE A LEVEL TO CHECK THAT THE GUIDE RODS ARE PERPENDICULAR IN BOTH DIRECTIONS. IF THEY ARE NOT PERPENDICULAR IN BOTH DIRECTIONS, IT WILL BE NECESSARY TO LOOSEN SOME FRAME HARDWARE TO RE-ALIGN THE FRAME AND RETIGHTEN BOLTS.

# OWNER'S MANUAL

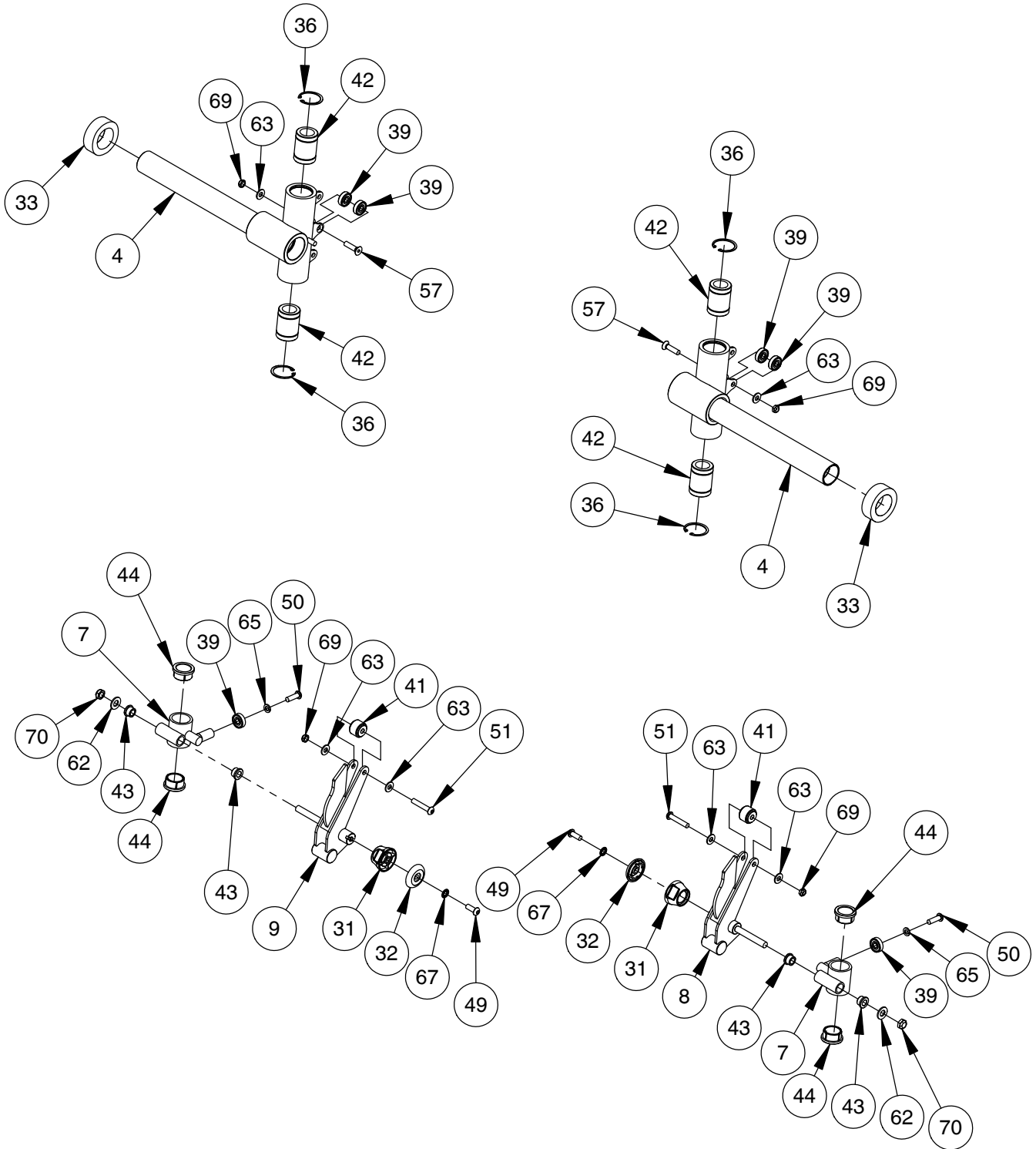
## PRE-ASSEMBLY





# OWNER'S MANUAL

## PRE-ASSEMBLY



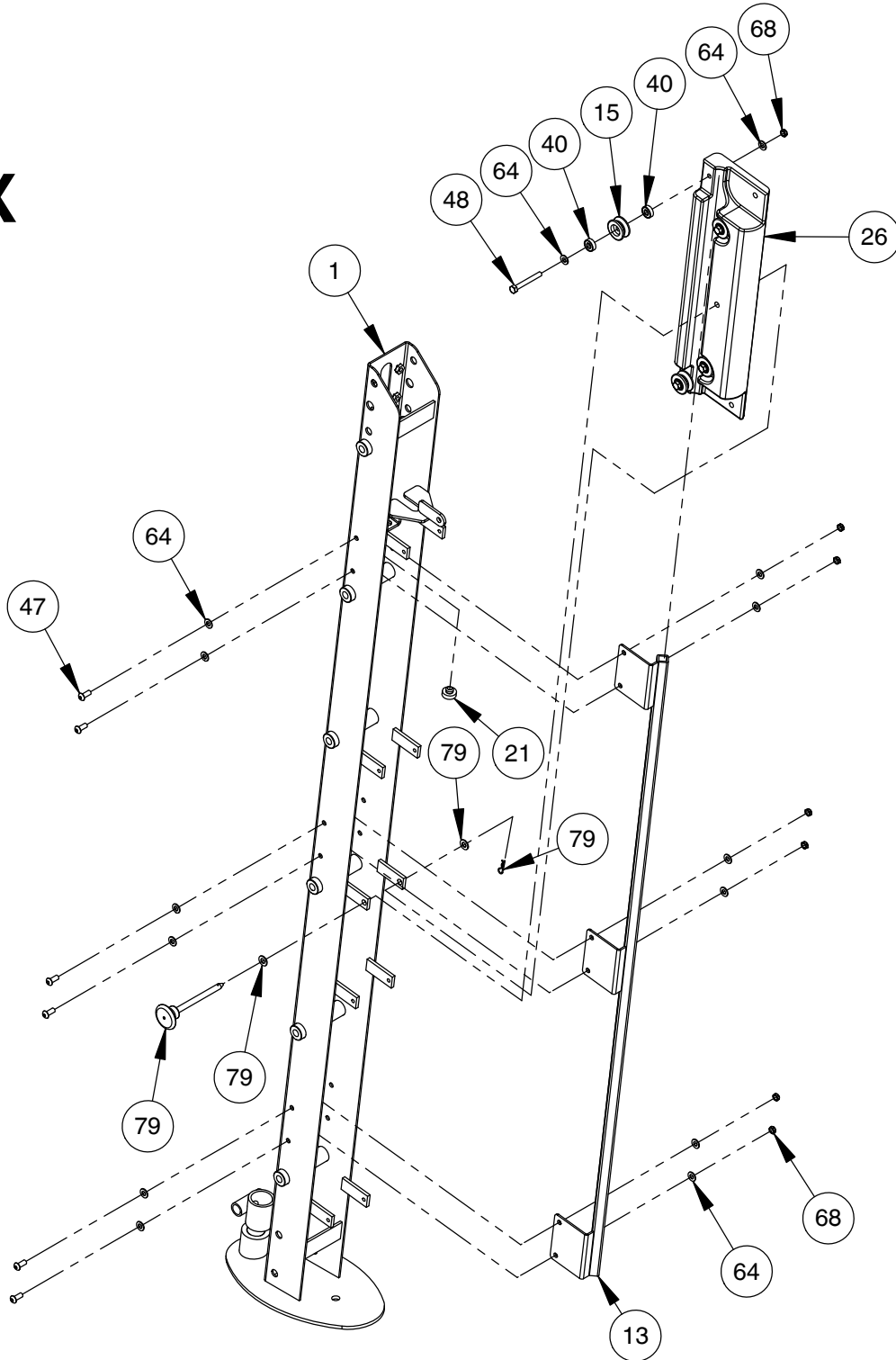
# OWNER'S MANUAL

\*\*\*THIS PAGE WAS INTENTIONALLY LEFT BLANK\*\*\*

# OWNER'S MANUAL

## PRE-ASSEMBLY

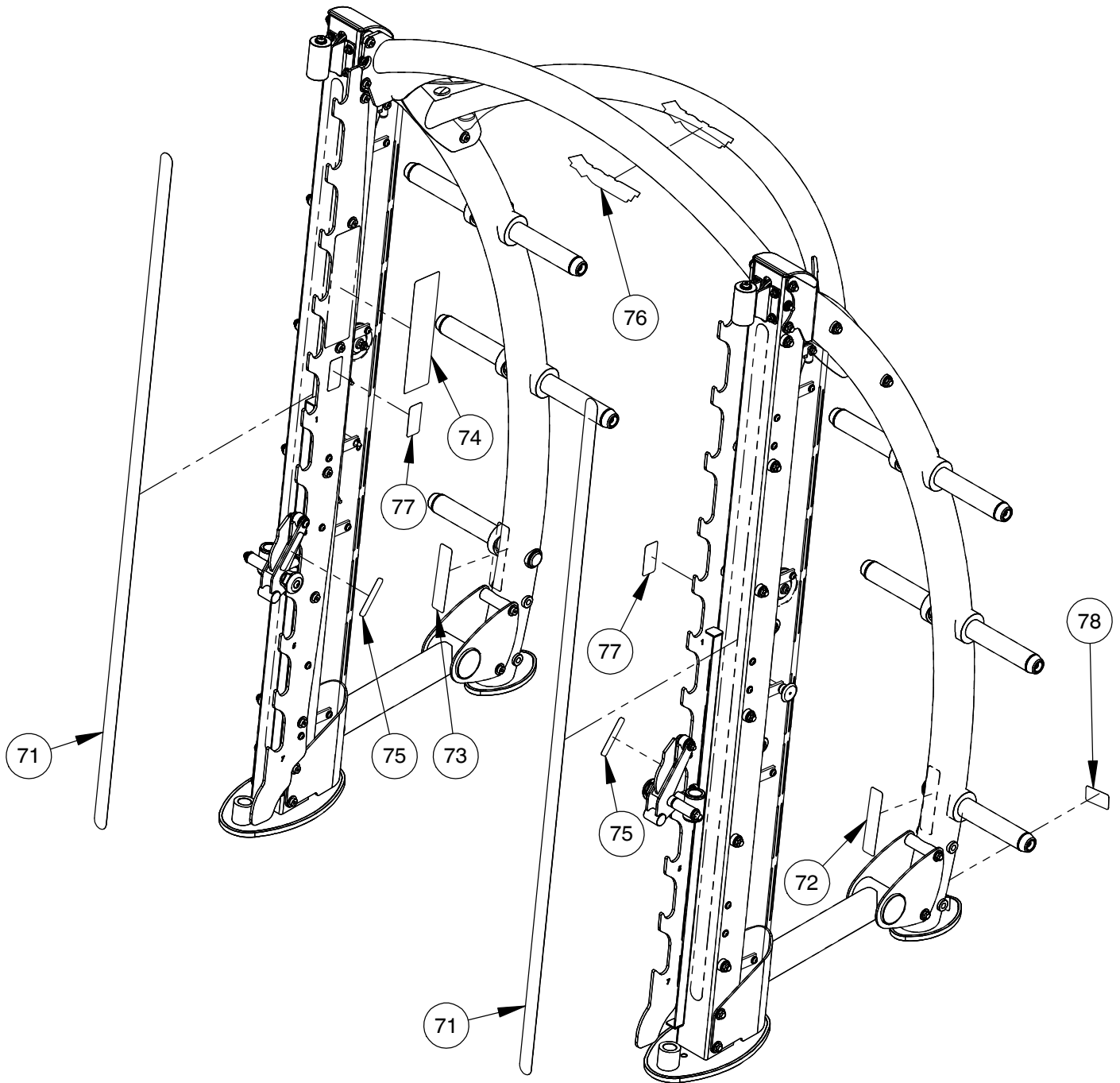
**2X**



# OWNER'S MANUAL

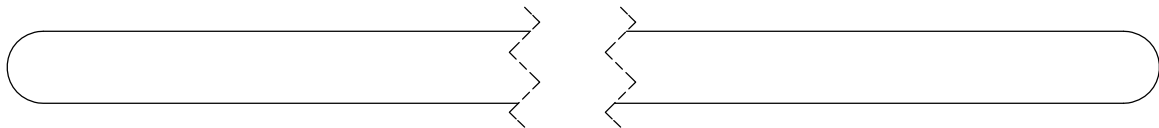
## DECAL PLACEMENT

NOTE:  
- ALL DECALS ARE CENTERED  
UNLESS OTHERWISE STATED.  
- SOME PARTS MAY HAVE BEEN  
REMOVED FOR CLARITY.



# OWNER'S MANUAL

## DECAL REFERENCE



021-0003626

**WARNING**

USE ONLY GENUINE HOIST REPLACEMENT PARTS. FAILURE TO DO SO WILL VOID WARRANTY AND COULD RESULT IN PERSONAL INJURY OR EVEN DEATH. THERE IS A RISK ASSUMED BY INDIVIDUALS WHO USE THIS TYPE OF EQUIPMENT. TO MINIMIZE THE RISK, ALWAYS FOLLOW THESE SIMPLE RULES.

1. READ AND UNDERSTAND ALL ENCLOSED INSTRUCTIONS before using this equipment.
2. INSPECT EQUIPMENT BEFORE EACH USE. Replace all parts at the first signs of wear or damage. If in doubt about a certain part, DO NOT use the equipment until the part is replaced. Failure to replace worn or damaged parts may result in injury.
3. FOLLOW ROUTINE MAINTENANCE SCHEDULE. Refer to the owner's manual/maintenance decal.
4. CONSULT YOUR PHYSICIAN BEFORE STARTING ANY EXERCISE PROGRAM. Warm up properly before engaging in weight resistance training. Stop exercising if you feel faint, dizzy or pain.
5. TO PREVENT THE POSSIBILITY OF SERIOUS INJURY, KEEP CLEAR OF ALL MOVING PARTS. Do not attempt to free any jammed parts by yourself. Obtain assistance to avoid possible injury.
6. CHILDREN SHOULD NOT BE ALLOWED TO USE THIS EQUIPMENT WITHOUT ADULT SUPERVISION. To avoid possible injury, bystanders should be kept at a safe distance when this equipment is in use.
7. CALL YOUR AUTHORIZED DISTRIBUTOR if you have any questions on the proper use or maintenance of this equipment.
8. TO PREVENT POSSIBLE TIPPING: TIGHTEN the exercise neck. Failure to do so may result in serious injury or death.

021-0003135

**NOTICE**

COMMERCIAL MAINTENANCE	Daily	Weekly	Monthly	6 Months	Yearly
Inspect; Links, Pull Pins, Snap Locks, Swivels, Weight Stack Pins		X			
Clean; Upholstery		X			
Inspect; Cables or Belts and their tension		X			
Inspect; Accessory Bars and Handles			X		
Inspect; All Decals			X		
Inspect; All nuts and Bolts Tighten if Needed.			X		
Inspect; Anti-Skid Surfaces			X		
Clean & Lubricate; Guide Rods with a Teflon (PTFE) based lubricant (Superlube)				X	
Lubricate; Seat Sleeves, Turcite Bushings, Linear Bearing				X	
Clean & Wax; All Glossy Finishes					X
Repack with Grease Linear Bearings					X
Replace; Cables, Belts and Connecting Parts.					X

021-0003008

**WARNING**

**PINCH POINTS**

021-0003113

**HOIST**  
HOISTFITNESS.COM

1-800-548-5438  
www.hoistfitness.com  
SERIAL # 00-00-A-00000

SERIAL # DECAL

**DANGER**

BOTH SAFETY STOPS MUST BE ADJUSTED TO SAME HEIGHT TO PREVENT SERIOUS INJURY OR DEATH.

021-0003593

**DANGER**

PRIOR TO USING THIS MACHINE

1. CONSULT A TRAINED SUPERVISOR TO FAMILIARIZE YOU WITH THE MACHINE'S PERFORMANCE CHARACTERISTICS AND PROPER USE.
2. DO NOT USE THIS MACHINE WITHOUT A SPOTTER/HELPER TO ASSIST YOU.
3. THIS MACHINE IS DESIGNED TO PERFORM EXERCISES IN WHICH BOTH HANDS ARE SECURELY GRASPING THE BAR. NEVER PERFORM ONE-HANDED EXERCISES.
4. BE SURE THAT YOU KNOW HOW TO PROPERLY ENGAGE/DISENGAGE THE BAR HOOK LOCKING MECHANISMS AND THE SAFETY STOPS!
5. BOTH SAFETY STOPS MUST BE PROPERLY ENGAGED AND ADJUSTED TO THE SAME HEIGHT.

FAILURE TO COMPLY COULD RESULT IN SERIOUS INJURY OR EVEN DEATH!

SAFETY STOP

021-0003597



021-0003221

# OWNER'S MANUAL

## PART LIST

NOTE: SOME OF THESE PARTS MAY COME PRE-INSTALLED

ITEM NO.	PART NUMBER	DESCRIPTION	QTY.
1	026-01X2997	FRONT UPRIGHT ASSEMBLY	2
2	026-01X2999	REAR UPRIGHT ASSEMBLY	2
3	026-01X3004	GUIDE ROD HOUSING ASSEMBLY	2
4	026-01X5061	BAR SUPPORT ASSEMBLY	2
5	026-01X5060	OLYMPIC BAR	1
6	026-01X3184	BOTTOM TIE ASSEMBLY	2
7	026-01X3186	SAFETY CATCH GUIDE	2
8	026-01X3205	SAFETY CATCH, RIGHT	1
9	026-01X3206	SAFETY CATCH, LEFT	1
10	026-01X3207	CAM FOLLOWER GUIDE	2
11	026-01X3245	CROSSMEMBER, UPPER	1
13	026-01X3252	COUNTERWEIGHT GUIDE	2
14	010-01C0601	CABLE ASSEMBLY CF-3753 - 98 1/8" LG.	2
15	026-01PL2225	V GROOVE WHEEL	8
16	026-01PL2533	RUBBER DONUT FOR PLASTIC WEIGHT HORN	10
17	026-01PL2211	RUBBER FOOT	2
18	026-01PL2407	RUBBER FOOT	2
20	018-0001002	CABLE PULLEY: Ø3.50"	4
21	019-0001001	PLUG BUMPER	2
22	026-01G0216	Ø30MM SHAFT X 82.28" LG.	2
24	026-01M0762	HEAVY FLANGED SPACER: Ø.39" I.D. X 1.50" LG.	4
25	026-01M1047	BAR END	2
26	026-01M2252	COUNTERWEIGHT, 49 LBS	2
27	026-01X6692	CF-3753 & CF-3754 2 SIDED WT. HORN	4
28	026-01X6679	CF-3753 & CF-3754 1 SIDED WT. HORN	2
29	026-01P3154	RACK OUT PLATE	2
30	026-01P6101	SHIELD	2
31	026-01PL2154	PLASTIC KNOB: BASE Ø 1.00" ID	2
32	026-01PL2155	PLASTIC KNOB: CAP Ø 1.00" ID	2
33	026-01PL2203	WEIGHT HORN RUBBER DONUT	2
34	026-01PL2229	CHANNEL CAP	2
35	014-0015032	SNAP RING: Ø1.38" EXTERNAL	4

# OWNER'S MANUAL

## PART LIST CONTINUED

NOTE: SOME OF THESE PARTS MAY COME PRE-INSTALLED

ITEM NO.	PART NUMBER	DESCRIPTION	QTY.
36	014-0023010	SNAP RING: Ø47mm INTERNAL	4
37	014-0006006	BEARING: 25MM NEEDLE BEARING	2
38	014-0006007	BEARING:35MM NEEDLE BEARING W/INNER RING	2
39	014-0012012	BEARING: BALL BEARING, Ø .39" I.D.	6
40	014-0003008	BEARING: 608-2RS BEARING (8mm BORE)	16
41	014-0104003	BEARING: CAGE GUIDED NEEDLE ROLLER	6
42	014-0007011	BEARING Ø30MM (LINEAR) (WON)	4
43	014-0101002	BUSHING: OILITE FLANGED Ø.75" O.D X Ø.50" I.D X .38" LG.	4
44	014-0416001	BUSHING: NYLON FLANGED 1.22" I.D. X .75" O.D. X .81" LG.	4
45	011-0116108	1/2"-13UNC X 1.25" LOW HEAD SHCS (Ni)	2
46	011-0701001	5/16"-18UNC X .5" BHCS (Ni)	16
47	011-0701002	5/16"-18UNC X .75" BHCS (Ni)	20
48	011-0116180	5/16"-18UNC X 2.50" LOW HEAD SHCS (Ni)	8
49	011-0701020	3/8"-16UNC X 1.00" BHCS (Ni)	2
50	011-0701021	3/8"-16UNC X 1.25" BHCS (Ni)	2
51	011-0701024	3/8"-16UNC X 2.00" BHCS (Ni)	6
52	011-0701026	3/8"-16UNC X 2.50" BHCS (Ni)	6
53	011-0116141	3/8"-16UNC X .75" LOW HEAD SHCS (Ni)	8
54	011-0116143	3/8"-16UNC X 1.25" LOW HEAD SHCS (Ni)	6
55	011-0116146	3/8"-16UNC X 2.00" LOW HEAD SHCS (Ni)	2
56	011-0116158	3/8"-16UNC X 5.00" LOW HEAD SHCS (Ni)	2
57	011-0702005	3/8"-16UNC X 1.50" FHCS (Ni)	2
58	011-0116121	1/2"-13UNC X 4.50" LOW HEAD SHCS (Ni)	4
59	011-0116123	1/2"-13UNC X 5.00" LOW HEAD SHCS (Ni)	8
60	011-0116126	1/2"-13UNC X 5.75" LOW HEAD SHCS (Ni)	12
61	013-1010001	1/2" INTERNAL LOCK WASHER (Ni)	2
62	013-1002006	1/2" X 27mm SAE FLAT WASHER (Ni)	60
63	013-1002007	3/8" X 22mm FLAT WASHER (Ni)	56
64	013-1002010	5/16" SAE FLAT WASHER (Ni)	64
65	013-1006003	3/8" SPLIT LOCK WASHER (Ni)	22
66	013-1010003	5/16" INTERNAL LOCK WASHER (Ni)	24
67	013-1010002	3/8" INTERNAL LOCK WASHER (Ni)	8
68	012-0504006	5/16"-18UNC THIN NYLOCK NUT (Ni)	20
69	012-0504005	3/8"-16 UNC THIN NYLOCK NUT (Ni)	16
70	012-0504002	1/2"-13 UNC THIN NYLOCK NUT (Ni)	30

# OWNER'S MANUAL

## PART LIST CONTINUED

NOTE: SOME OF THESE PARTS MAY COME PRE-INSTALLED

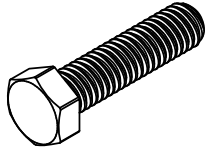
ITEM NO.	PART NUMBER	DESCRIPTION	QTY.
71	021-0003626	DECAL WEAR STRIP (BLACK) 1.50" X 72.00" X 30 MIL	2
72	021-0003135	DECAL WARNING 1.50" X 6.69"	1
73	021-0003008	DECAL COMMERCIAL MAINTENANCE 1.50 X 6.69	1
74	021-0003597	DECAL DANGER SAFETY STOP 3.25" X 12" VERT	1
75	021-0003593	DECAL DANGER 3.88" X .87" (HORIZONTAL)	2
76	021-0003221	DECAL HOIST 2.50" X 9.13"	1
77	021-0003113	DECAL PINCH POINT 1.63" X 3.25" (VERTICAL)	2
78	SERIAL # DECAL	DECAL HOIST SERIAL # 1.63" X 2.63"	1
79	026-01X2856+CLIP	WEIGHT SELECTOR PIN	2
80	026-01X5955	CROSSMEMBER	1
81	011-0116125	1/2"-13UNC X 5.50" LOW HEAD SHCS (Ni)	4
82	016-0201023	END CAP $\phi$ 1.50" (BLACK)	2
83	026-01PL2532	LONG WEIGHT HORN COVER	10
84	026-01PL2535	WEIGHT HORN END CAP	10
85	011-0701084	3/8"-16UNC X 1.25" BHCS (Ni) W/ DRI-LOC PATCH	10



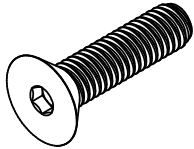
# OWNER'S MANUAL

## ABBREVIATIONS

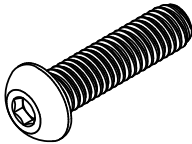
BZ = Black Zinc  
Ni = Nickel Plated  
SS = Stainless Steel  
WZ = White Zinc



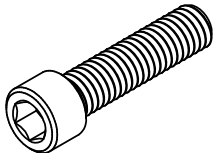
HHB = Hex Head Bolt



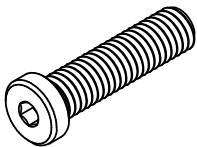
FHCS = Flat Head Cap Screw



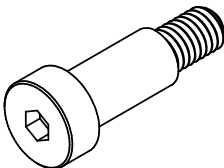
BHCS = Button Head Cap Screw



SHCS = Socket Head Cap Screw



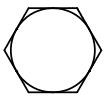
Low Head SHCS = Low Head Socket  
Head Cap Screw



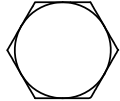
SHSS = Socket Head Shoulder Screw

# OWNER'S MANUAL

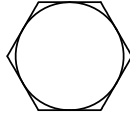
## BOLT SIZING CHART



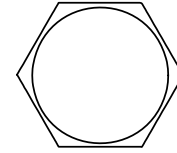
1/4" HHB  
RECOMMENDED  
TORQUE RANGE:  
6-8 ft-lbs



5/16" HHB  
RECOMMENDED  
TORQUE RANGE:  
14-17 ft-lbs



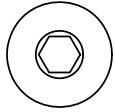
3/8" HHB  
RECOMMENDED  
TORQUE RANGE:  
24-30 ft-lbs



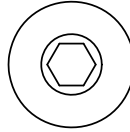
1/2" HHB  
RECOMMENDED  
TORQUE RANGE:  
60-75 ft-lbs



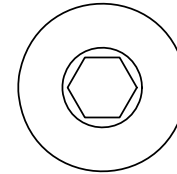
1/4" BHCS  
RECOMMENDED  
TORQUE RANGE:  
5-7 ft-lbs



5/16" BHCS  
RECOMMENDED  
TORQUE RANGE:  
11-15 ft-lbs



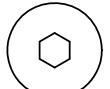
3/8" BHCS  
RECOMMENDED  
TORQUE RANGE:  
19-26 ft-lbs



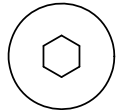
1/2" BHCS  
RECOMMENDED  
TORQUE RANGE:  
47-65 ft-lbs



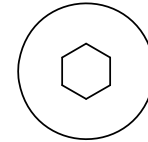
1/4"  
LOW HEAD  
SHCS  
RECOMMENDED  
TORQUE RANGE:  
4-6 ft-lbs



5/16"  
LOW HEAD  
SHCS  
RECOMMENDED  
TORQUE RANGE:  
9-12 ft-lbs



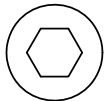
3/8"  
LOW HEAD  
SHCS  
RECOMMENDED  
TORQUE RANGE:  
18-23 ft-lbs



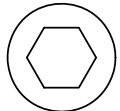
1/2"  
LOW HEAD  
SHCS  
RECOMMENDED  
TORQUE RANGE:  
40-50 ft-lbs



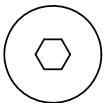
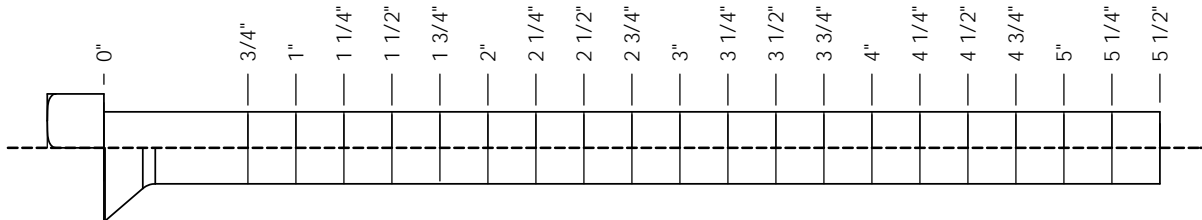
1/4" SHCS  
RECOMMENDED  
TORQUE RANGE:  
11-14 ft-lbs



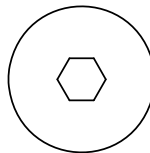
5/16" SHCS  
RECOMMENDED  
TORQUE RANGE:  
23-29 ft-lbs



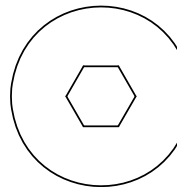
3/8" SHCS  
RECOMMENDED  
TORQUE RANGE:  
39-49 ft-lbs



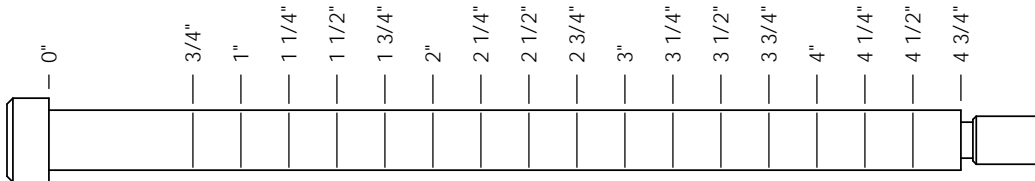
1/4" FHCS  
RECOMMENDED  
TORQUE RANGE:  
5-7 ft-lbs



3/8" FHCS  
RECOMMENDED  
TORQUE RANGE:  
19-26 ft-lbs



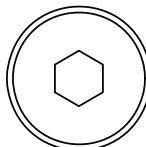
1/2" FHCS  
RECOMMENDED  
TORQUE RANGE:  
47-65 ft-lbs



1/4" SHSS  
RECOMMENDED  
TORQUE RANGE:  
3-4 ft-lbs



5/16" SHSS  
RECOMMENDED  
TORQUE RANGE:  
8-10 ft-lbs

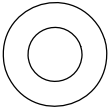


3/8" SHSS  
RECOMMENDED  
TORQUE RANGE:  
17-22 ft-lbs

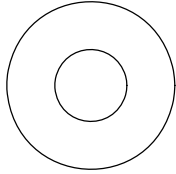
# OWNER'S MANUAL

## WASHER SIZING CHART

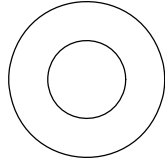
013-0002003  
1/4"  
FLAT WASHER  
SMALL, SAE, 13mm



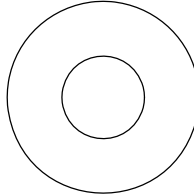
013-0102004  
5/16"  
FLAT WASHER  
LARGE, USS, 22mm



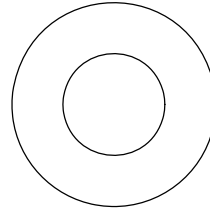
013-0002004  
3/8"  
FLAT WASHER  
SMALL, SAE, 21mm



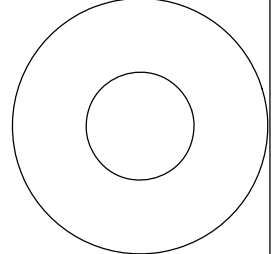
013-0402005  
3/8"  
FLAT WASHER  
LARGE, USS, 25mm



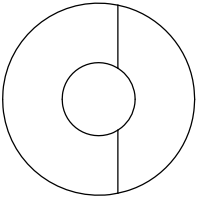
013-0102003  
1/2"  
FLAT WASHER  
SMALL, SAE, 27mm



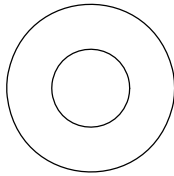
013-0102026  
1/2"  
FLAT WASHER  
LARGE, USS, 34mm



013-0102028  
3/8"  
CURVED WASHER



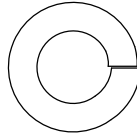
013-0402007  
3/8"  
FLAT WASHER  
22mm O.D.



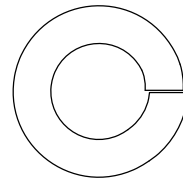
013-0102019  
1/4"  
LOCK WASHER



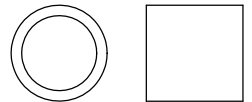
013-0102020  
3/8"  
LOCK WASHER



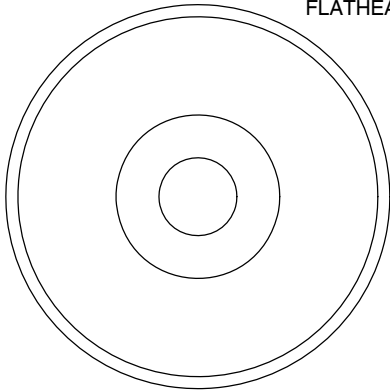
013-0102018  
1/2"  
LOCK WASHER



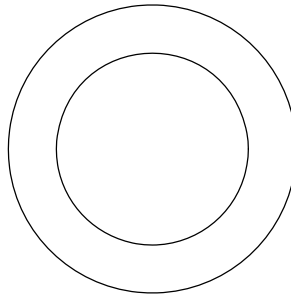
014-0018001  
1/2" LONG  
SPACER



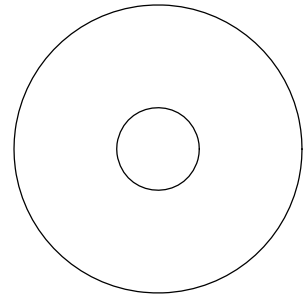
026-01M0238  
2" ALUMINUM  
FLATHEAD CAP



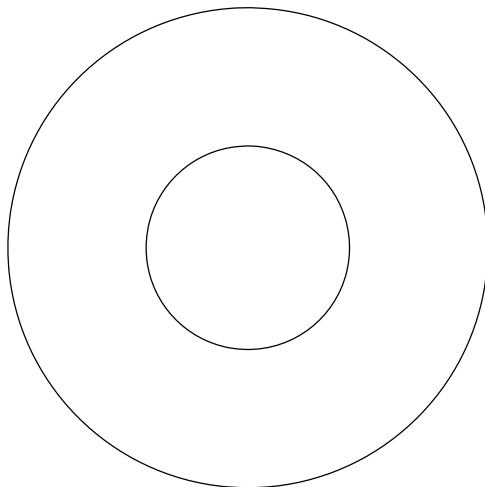
016-0009003  
1" SHIM WASHER



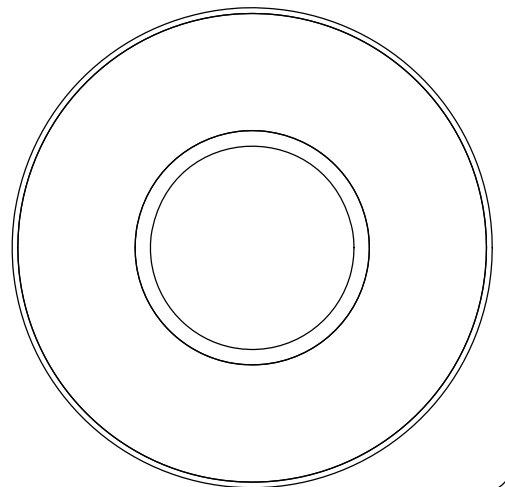
013-0003002  
3/8" FENDER WASHER



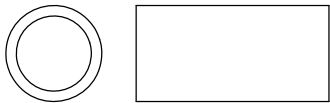
013-0003004  
1 1/16"  
FENDER WASHER



026-01PL151  
PLASTIC 1 1/16"  
FENDER WASHER



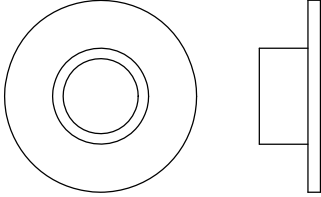
014-0018002  
1" LONG  
SPACER



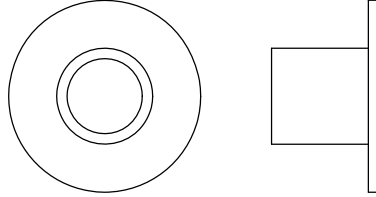
# OWNER'S MANUAL

## WASHER SIZING CHART (CONTINUED)

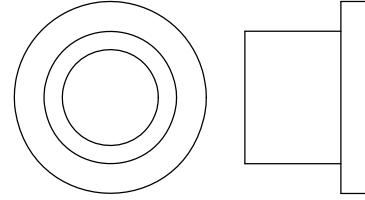
**026-01M0211**  
1/4" LONG  
FLANGED SPACER



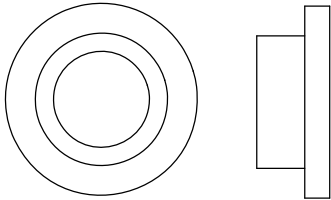
026-01M0198  
1/2" LONG  
FLANGED SPACER



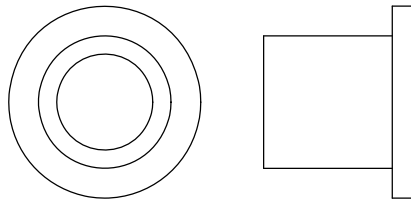
**026-01M0760**  
1/2" LONG HEAVY  
FLANGED SPACER



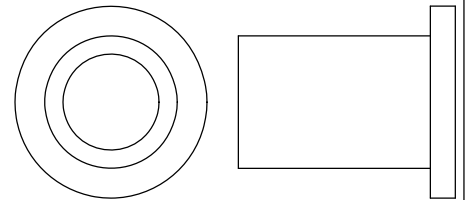
026-01M211T  
1/4" LONG HEAVY  
FLANGED SPACER



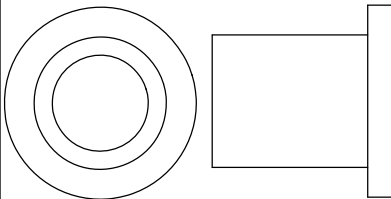
026-01M0532  
11/16" LONG HEAVY  
FLANGED SPACER



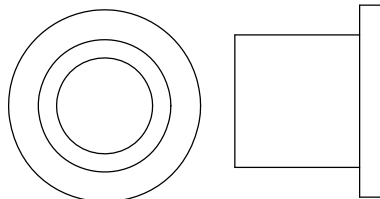
**026-01M0551**  
1" LONG HEAVY  
FLANGED SPACER



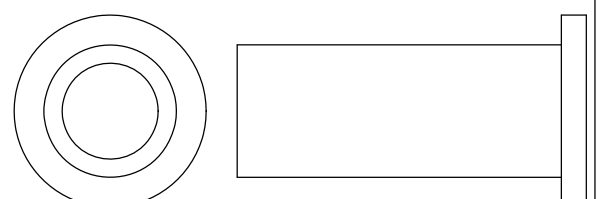
026-01M0788  
.81" LONG HEAVY  
FLANGED SPACER



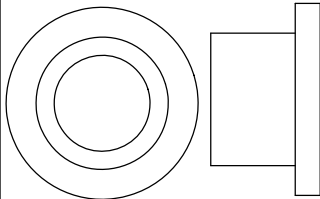
026-01M0780  
.65" LONG HEAVY  
FLANGED SPACER



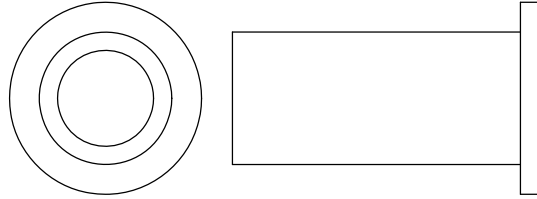
026-01M0761  
1 11/16" LONG HEAVY  
FLANGED SPACER



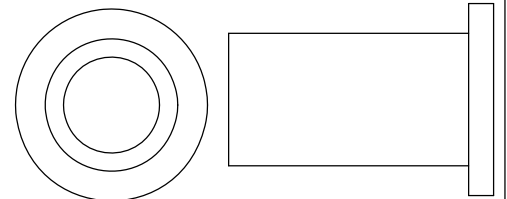
026-01M0789  
.44" LONG HEAVY  
FLANGED SPACER



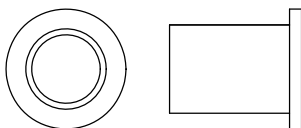
026-01M0762  
1 1/2" LONG HEAVY  
FLANGED SPACER



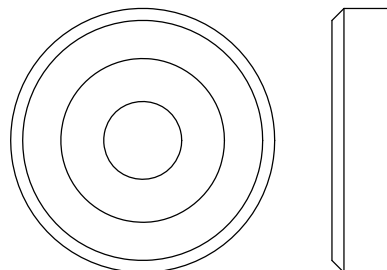
026-01M0768  
1 1/4" LONG HEAVY  
FLANGED SPACER



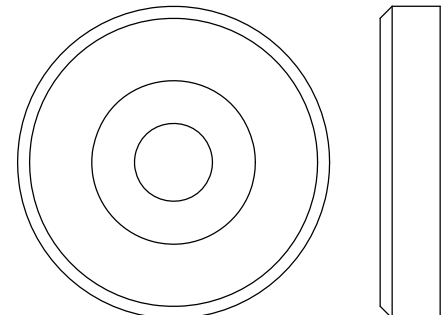
**026-01M0600**  
.625" LONG  
FLANGED SPACER



026-01M0240  
1 3/8" ALUMINUM  
FLATHEAD CAP



**026-01M0239**  
1 5/8" ALUMINUM  
FLATHEAD CAP



# OWNER'S MANUAL

## MAINTENANCE SCHEDULE

ROUTINE	COMMERCIAL / LIGHT COMMERCIAL MAINTENANCE	HOME MAINTENANCE	LATEST DATE ENTRY																			
Inspect; Links, Pull Pins, Snap Locks, Swivels, Weight Stack Pins	DAILY	WEEKLY																				
Clean; Upholstery	DAILY	WEEKLY																				
Inspect; Cables or Belts and their tension	DAILY	WEEKLY																				
Inspect; Accessory Bars, and Handles	WEEKLY	3 MONTHS																				
Inspect; All Decals	WEEKLY	3 MONTHS																				
Inspect; All Nuts and Bolts, Tighten if needed	WEEKLY	3 MONTHS																				
Inspect; Anti-Skid Surface	WEEKLY	3 MONTHS																				
Clean & Lubricate; Guide Rods with a Teflon (PTFE) based lubricant (Superlube)	MONTHLY	3 MONTHS																				
Lubricate; Seat Sleeves, Turcite Bushings, Linear Bearing	MONTHLY	3 MONTHS																				
Clean and Wax; All Glossy Finishes	6 MONTHS	YEARLY																				
Repack with Grease; Linear Bearings	6 MONTHS	YEARLY																				
Replace; Cables, Belts and Connecting Parts	YEARLY	3 YEARS																				

*Your equipment comes with a commercial maintenance decal.  
For personal, in home use, please follow the home maintenance schedule listed above.*

***Never use ammonia, acid-based, or petroleum-based solvents on any portion of the machine as it may damage the finish.***

# OWNER'S MANUAL

## **HOIST FITNESS SYSTEMS GENERAL MAINTENANCE INFORMATION**

### **Links, Pull-Pins, Snap Hooks, Swivels, Weight Stack Pins:**

- \*Check all pieces for signs of visible wear or damage.
- \*Check springs in snap hooks and pull-pins for proper tension and alignment.
- \*If the spring sticks or has lost its rigidity, replace it immediately.

### **Upholstery:**

- \*To ensure prolonged upholstery life and proper hygiene, all upholstered pads should be wiped down with a damp cloth after every workout.
- \*Periodically take the time to use a mild soap or an approved vinyl upholstery cleaner to deter the onset of cracking or drying. Avoid using any abrasive cleaners or cleaners not intended for use on vinyl.
- \*Replace ripped or worn upholstery immediately.
- \*Keep sharp or pointed objects clear of all upholstery.

### **Decals:**

- \*Inspect and familiarize yourself with any safety warnings or other user information posted on each decal.

### **Nuts and Bolts:**

- \*Inspect all nuts and bolts for any loosening and tighten if needed.
- \*Go through a re-tightening sequence periodically to ensure that all hardware is tensioned proper.

### **Anti-Skid Surfaces:**

- \*These surfaces are designed to supply secure footing and need to be replaced if they appear worn or become slippery.

### **Belts and Cables:**

- \*Hoist uses only high quality belt, and mil-spec cables.
- \*Visually inspect the belts and cables for fraying, cracking, peeling or discoloration.
- \*While the machine is not in use, carefully run your fingers along the belt or cable to feel for thinning or bulging areas.
- \*Replace belts and cables immediately at the first signs of damage or wear. Do not use equipment until belts or cables have been replaced.

### **Belt and Cable Tension:**

- \*Referring to the Owners Manual, when belts or cables are used check all bolts attachments to be sure they are properly attached.
- \*Check slack in cables and re-adjust cable tension if needed.

### **Seat Sleeves, Guide Rods:**

- \*Wipe down adjusting tubes with a dust free rag before applying lubricant.
- \*Lubricate seat sleeves and Guide Rods with a Silicon or Teflon based lubricant spray.

### **Linear Bearings:**

- \*Referring to the Owners Manual carefully disassemble the bearing from its housing and place a finger full of light grease (lithium, super lube, etc.) into the inside of the bearing. Using your finger, press the grease into the ball-bearings and their tracks. repeat until the ball-bearing tracks are full of grease. Insert the shaft back into the bearing and wipe off excess grease.

**PLEASE KEEP THIS FOR YOUR RECORDS**

# OWNER'S MANUAL

## WEIGHT TRAINING TIPS

Use this manual to guide you through the basic exercises you can perform on your CF-3753 HOIST® Fitness System. To gain maximum results and avoid possible injury, consult a fitness professional to develop your complete exercise program.

Always consult your physician before starting any exercise program.

To be successful in your exercise program, it is important to develop an understanding of the basic principles of strength training. Now that you have your CF-3753 HOIST® Fitness System, it is only natural that you want to get started immediately. First, determine a set of realistic goals and objectives for yourself. By deciding on an exercise plan that is right for you prior to starting, you will contribute significantly to your success.

Warm up properly before engaging in weight resistance training. Stretching, yoga, jogging, calisthenics or other cardiovascular exercise can help prepare your body for the heavier workload of lifting weights.

Learn how to perform the exercise correctly before using heavy weight. Correct form is important to avoid injury and to ensure that you work the proper muscle groups.

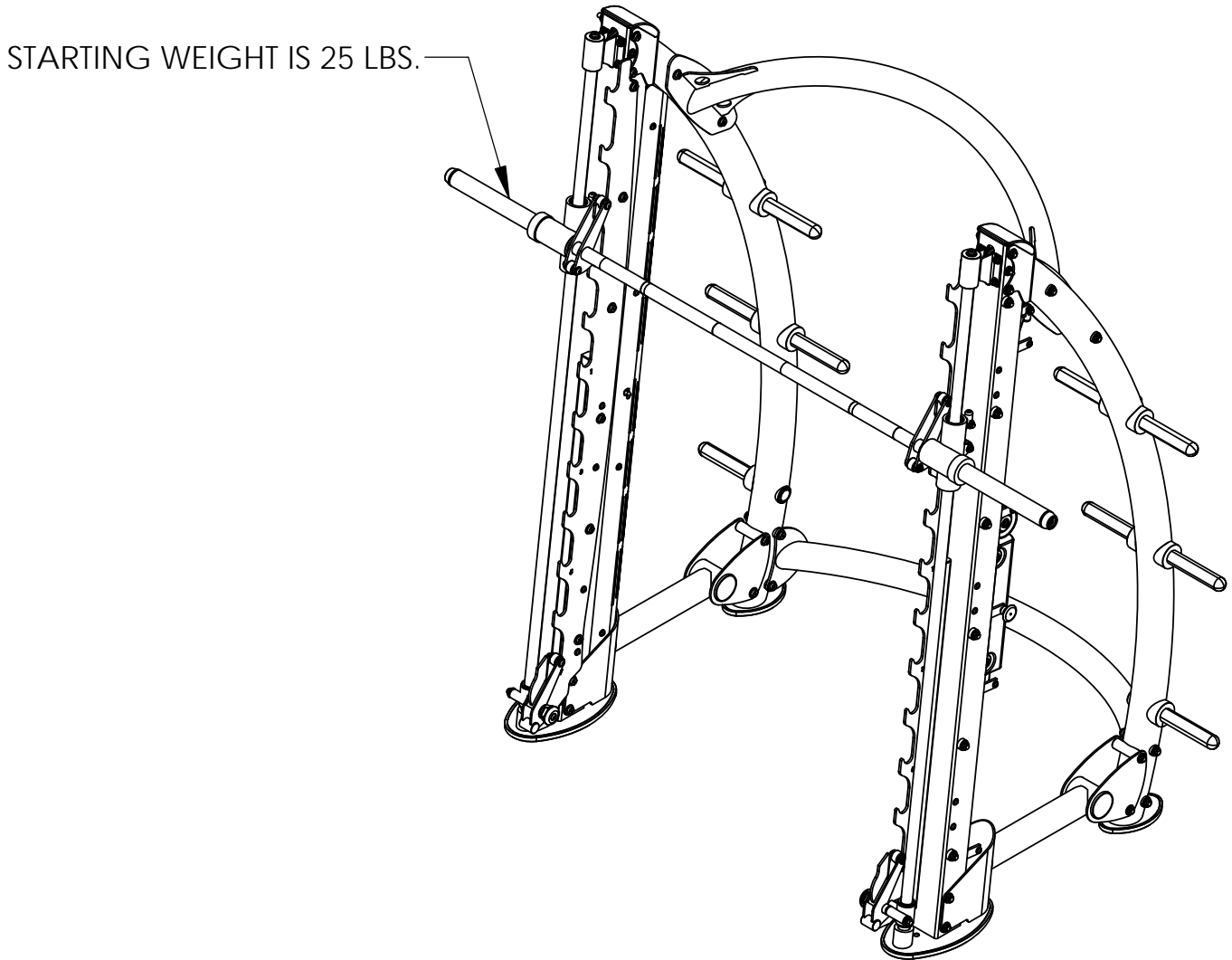
Know your limitations. If you are new to weight training or are embarking on an exercise regimen after a long layoff, start slowly and build foundational strength over a longer period of time.

Pay attention to your breathing. Exhale when you exert is a general rule of thumb. Never hold your breath.

**Enjoy your CF-3753 HOIST® Fitness System!**

# OWNER'S MANUAL

## WEIGHT RATIOS



**MAXIMUM WEIGHT RATING IS 540 LBS.**

The above chart shows the standard weight stack for this unit. The weights listed are approximate. HOIST reserves the right to modify the machine without prior notice.





# OWNER'S MANUAL

## **HOIST FITNESS SYSTEMS** **LIMITED LIFETIME WARRANTY**

Hoist Fitness Systems warrants this product to the **original purchaser** to be free from defects in workmanship and/or materials under normal use or service. If at any time a component part is defective, Hoist Fitness Systems shall repair or replace it (at Hoist Fitness Systems option) within a reasonable period of time. This warranty does not cover costs of removal, transportation or reinstallation. This warranty shall not apply if the defect was caused by misuse, neglect or normal wear and tear.

**WARRANTY CLAIMS. All claims require: Model number, Serial number, Date of installation, and any information supporting the existence of the alleged defect.**

To complete Warranty Registration visit:  
[www.HOISTFITNESS.com](http://www.HOISTFITNESS.com)  
and click on the Warranty Registration link

Starting from the original date of purchase, normal wear and tear shall be considered as the following:

**COMMERCIAL USE:** All malfunctions of upholstery, grips, and coatings that occur up to one year; all malfunctions of belts, or **cables** up to one year; all malfunctions of pulleys, bearings, or bushings that occur up to three years. The frame and body components are warranted for ten years, with structural moving parts warranted for five years.

**LIGHT COMMERCIAL USE:** All malfunctions of upholstery, grips, and coatings that occur up to one year; all malfunctions of belts, or **cables** up to one year; all malfunctions of pulleys, bearings, or bushings that occur up to three years. The frame and body components are warranted for ten years, with structural moving parts warranted for five years.

**HOME USE:** All malfunctions of grips, paint, and chrome that occur up to ten years; all malfunctions of electronic components, belts, **cables**, or upholstery that occur up to ten years; all malfunctions of pulleys, bearings, or bushings that occur up to ten years. The frame and all welded components are warranted for the life of the product.

**PLEASE NOTE THAT NOT ALL HOIST PRODUCTS ARE MADE FOR COMMERCIAL USE.** Refer to the instructions page of your owners manual or consult with you fitness product dealer to establish if a product is made for commercial use or not. Using a non-commercial product in a commercial setting can result in serious injury or death! Hoist Fitness Systems sole responsibility shall be to repair or replace the component within the terms stated above. Hoist Fitness Systems shall not be liable for any loss or damage of any kind including any incidental or consequential damages resulting, directly or indirectly from any warranty expressed or implied or any other failure of this product.

**LIGHT COMMERCIAL USE:** Our Light Commercial warranty applies to facilities that **DO NOT** charge monthly membership dues and where the equipment would be used by **no more than 50** people per day. Examples of Light Commercial facilities include hotels, apartment complexes, personal training studios, fire stations, police stations, etc., that meet the criteria stated above.

**WHAT IS NOT COVERED BY THIS WARRANTY:** Hoist's sole obligation under this warranty is limited to either repair or replacement of parts, subject to the additions below. This warranty neither assumes nor authorizes any person to assume obligations other than expressly covered by this warranty.

**NO CONSEQUENTIAL DAMAGES:** Hoist is not responsible for economic loss; profit loss; or special, indirect, or consequential damages.

**WARRANTY IS NOT TRANSFERABLE:** This warranty is not assignable and applies only in favor of the original purchaser/user to whom delivered. Any such assignment or transfer shall void the warranties herein made and shall void all warranties, expressed, implied or statutory, except the one (1) and five (5) year warranties described above. These warranties are exclusive and in lieu of all other warranties, including implied warranty and merchantability or fitness for a particular purpose. There are no warranties which extend beyond the description on the face hereof.

**TRANSPORTATION COSTS:** Hoist will accept parts covered under this warranty freight collect, provided that shipment has received prior approval. Hoist is not responsible for any other transportation costs, but will ship freight collect parts either repaired or replaced under these warranties.

Hoist Fitness Systems  
11900 Community Rd.  
Poway, CA. 92064  
(800)548-5438

**PLEASE KEEP THIS FOR YOUR RECORDS**